



**PROFESSIONAL ODM/OEM OUTDOOR
LED LIGHTING MANUFACTURER**

Hanri

Hanri Lighting Co.,Ltd.

COMPANY INTRODUCTION



Premium Lighting Solutions for Landscapes, Gardens, and Swimming Pools.

Hanri Lighting Co., Ltd. specializes in high-quality lighting solutions for landscapes, gardens and swimming pools. With 24+ years of experience specializing in LED lighting solutions, our diverse product range-including landscape light fixtures, smart lamps, pool lights, strip lights, low-voltage transformers, and gateways--demonstrates the diverse applications, exceptional performance, superior quality, reliability, and energy efficiency of our products.

Leveraging continuous innovation and in-house R&D, we deliver end-to-end customized smart lighting solutions. These include ODM/OEM services to meet precise client specifications, complemented by custom mobile apps and smart control systems that ensure a seamless and intuitive user experience.

Advanced Manufacturing Facilities Located in Mainland China and Malaysia.

Our advanced facilities in Mainland China and Malaysia, encompassing over 500,000 square feet of manufacturing space and staffed by 800+ employees, are equipped with state-of-the-art production lines and storage areas. They operate under stringent clean-room standards and 6S management systems, ensuring a clean, efficient, and controlled environment that guarantees consistent product quality throughout the entire manufacturing process.

Experienced R&D Team Provides Expert Support to Meet Customer-specific Requirements.

The team of 50+ R&D engineers, comprising electrical, mechanical, optical, and software specialists, enables us to efficiently customize products to meet our customers' specific requirements.

Accredited Test Lab Ensuring Product Safety, Reliability and Compliance.

The CNAS-certified (China National Accreditation Service for Conformity Assessment) test lab conducts a comprehensive range of safety, reliability, and certification tests. Our capabilities include flammability, lifetime, photoelectric, light distribution, EMC, and waterproof testing etc.

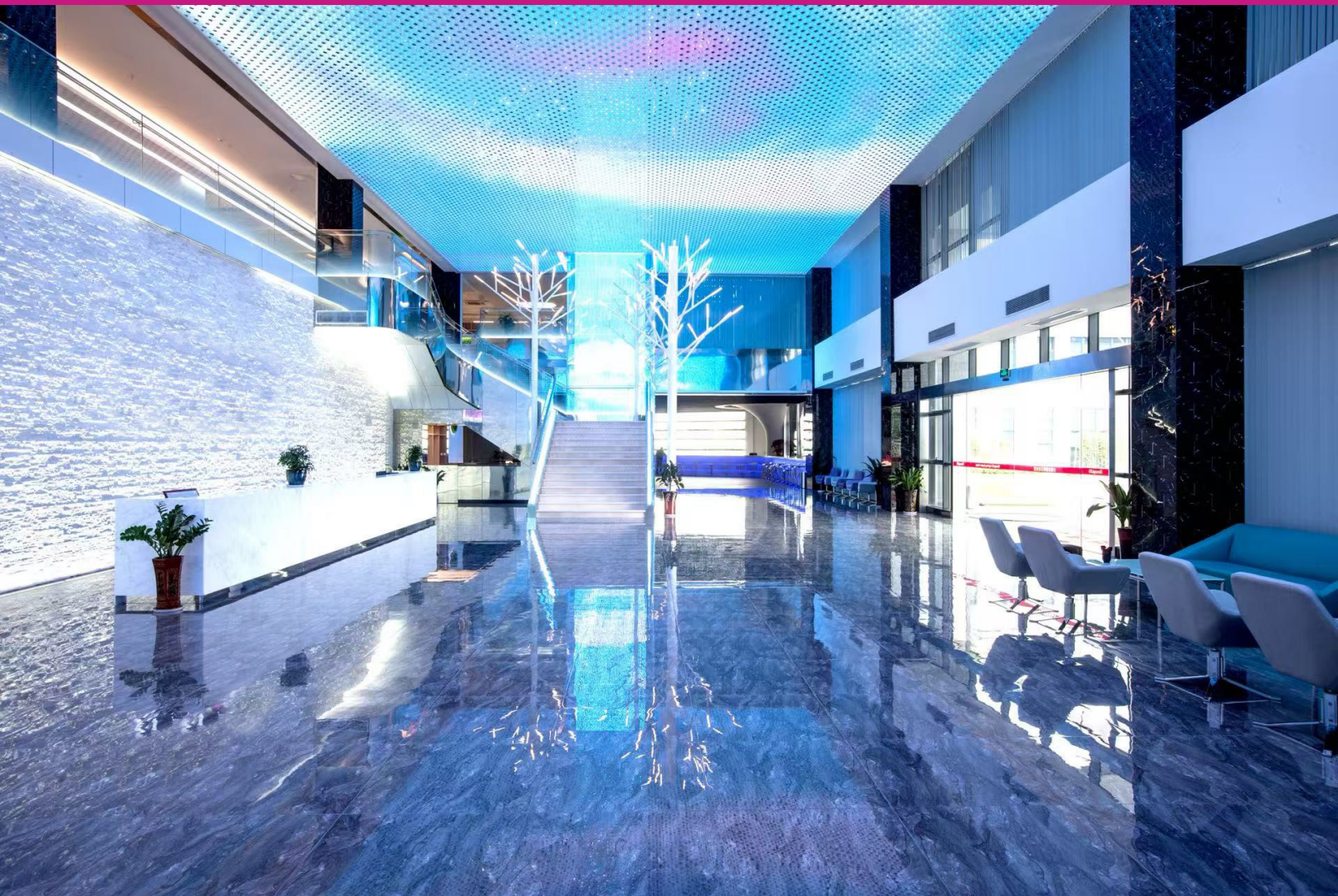
Hanri

ODM/OEM Services

24+ years of experience specializing in
LED lighting solutions.

Global Quality And Safety Standards

Hanri Lighting Co., Ltd. is certified with ISO9001, ISO14001, ISO45001, and our products hold ETL, UL, FCC, IC and ENERGY STAR, and California's T20 and T24 certifications, ensuring compliance with global quality and safety standards.





Malaysia

Since 2018, Hanri Lighting Sdn. Bhd. has made significant investments to establish advanced manufacturing bases in Penang, Malaysia. Our facilities span an area of 50,000 square feet and employ over 100 skilled professionals. We integrate cutting-edge manufacturing technologies, including Surface-Mount Technology (SMT) for precision electronic assembly and burn-in tests for high-quality lights. Our rigorous Quality Assurance (QA) processes, certified under ISO 9001, ISO 14001, and ISO 45001 standards, ensure the delivery of products of superior excellence.

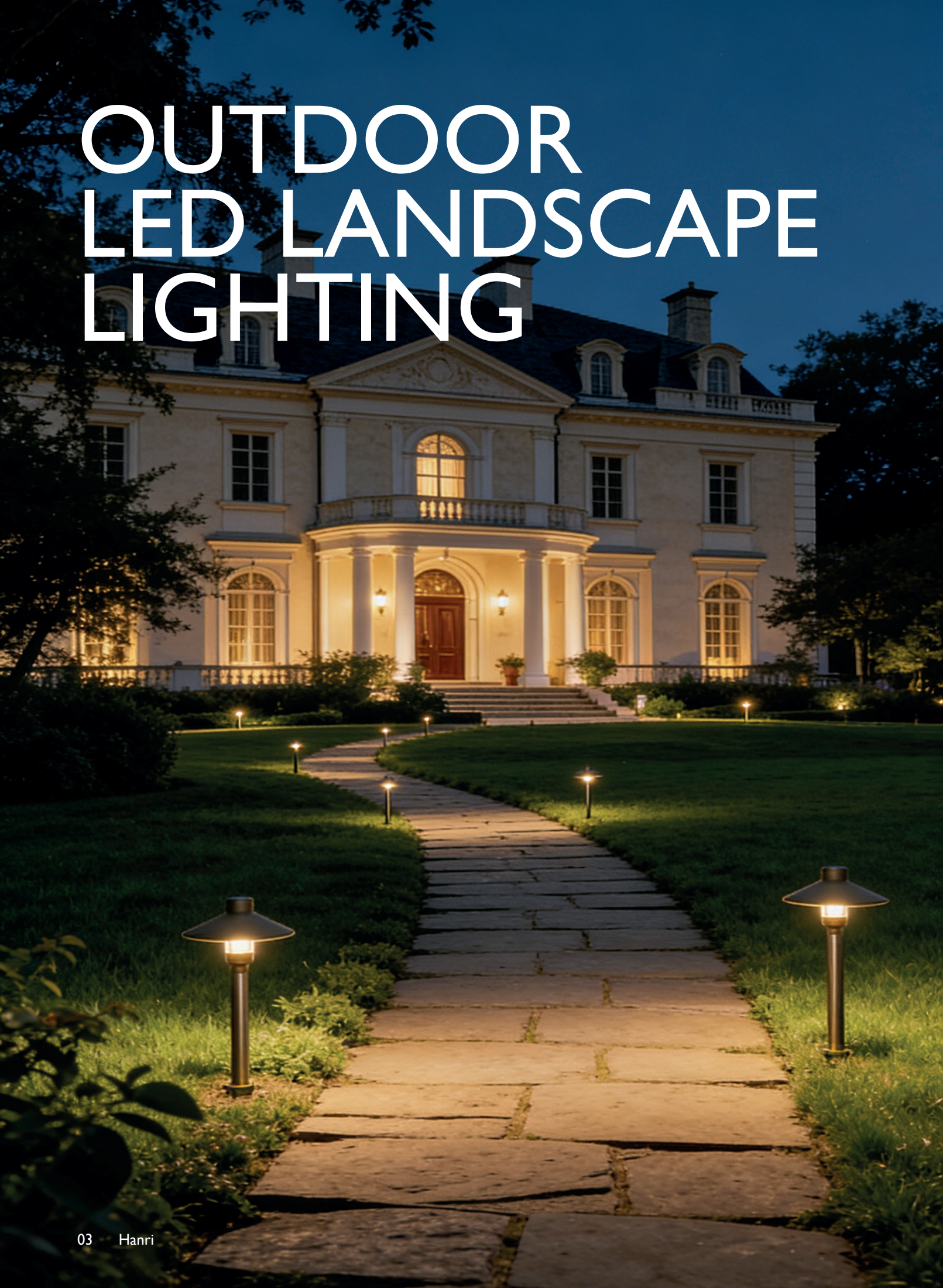
To guarantee the highest quality, our lights undergo rigorous performance, reliability, and safety testing. They are certified to comply with a wide range of stringent global standards, including ETL, UL, FCC, IC, and California's T20 and T24 certifications.

These advanced manufacturing and quality control systems allow us to deliver innovative, reliable, and energy-efficient lighting solutions tailored to a wide range of customer needs.

Table of CONTENTS

Smart Lighting Technologies	05
Accent Landscape Lights	06
Path Lights	15
Hardscape	25
Wall Lights	30
In Ground Lights	31
Underwater Lights	32
LED Landscape Lamp	33
LED Strip Lights	40
Gateway Outdoor	41
Gateway Indoor	42
Smart Control for Pool Lighting	44
Swimming Pool and SPA Lights	45
Swimming Pool Nicheless Lights	46
Outdoor LED Strip Lights	47
Swimming Pool LED BR40 RGBW	48
Swimming Pool LED BR30 RGBW	49
Range Extenders	50
Linear Lights	51
Low Voltage Transformer	56
Production Workshops	62
National Accredited (CNAS) Test Lab	63

OUTDOOR LED LANDSCAPE LIGHTING





Accent Lights
SP-001



Accent Lights
SP-002



Accent Lights
SP-003



Accent Lights
SP-004



Down Lights
SP-005



Accent Lights
SP-006



Accent Lights
SP-007



Accent Lights
FL-001



Accent Lights
FL-002



Path Lights
PA-001



Path Lights
PA-002



Path Lights
PA-003



Path Lights
PA-004



Path Lights
PA-005



Path Lights
PA-006



Path Lights
PA-007



Path Lights
PA-008



Path Lights
PA-009



Path Lights
PA-010



Hardscape
DK-001



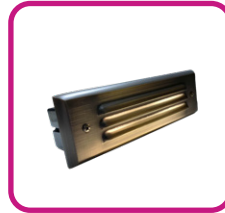
Hardscape
DK-002



Hardscape
DK-003



Hardscape
DK-004



Hardscape
SL-001



Wall Lights
WL-001



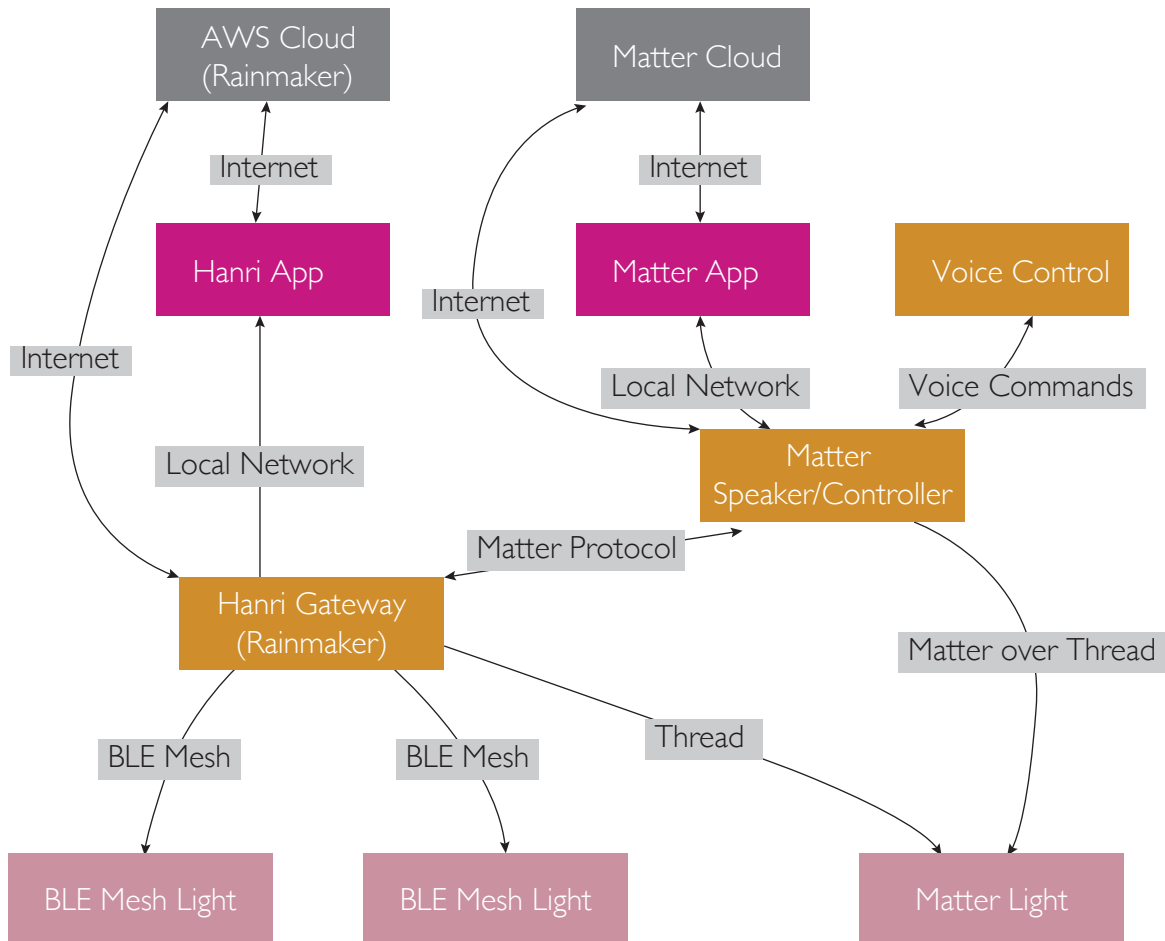
In Ground Lights
IG-001



Underwater Lights
UW-001



Smart Lighting Control for BLE Mesh & Matter Light



PRODUCT SPECS

MOUNTING / INSTALLATION

Wire Lead 3' SPT-2W/18AWGx2C wire lead
 Mounting 8" ABS slotted stake



MATERIAL

Housing Solid brass
 Knuckle Solid cast brass, knob for angle adjustment
 Socket Spade connectors for MR16 lamps
 Shroud Solid cast brass, with turn-to-lock fitting
 Finish Antique brass

ORDERING INFORMATION



LIGHT SOURCE OPTIONS

- Choose from:
- Factory-installed smart MR-16 lamp below
 - Fixture available without lamp upon request

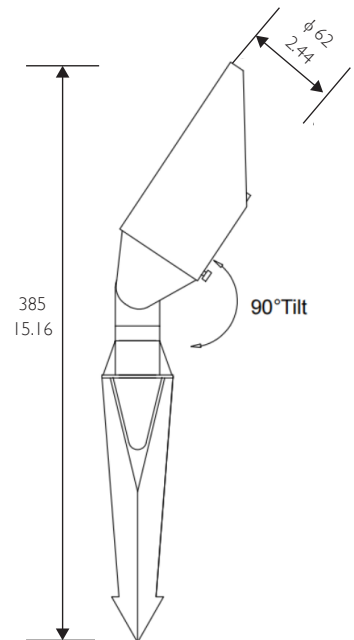
Wattage	7W
Voltage	12V AC/DC
Lumen Output	500 lm at 3000K
Beam Spread	40°
CCT Options	RGB TW, TW=2200K-6500K
RGBW Options	Infinite color selection via color wheel, quick presets for red, green, blue, amber, purple etc.
Dimming	0-100% dimming
IP	65

HOW TO SPECIFY

FIXTURE	FINISH OPTION
SP-001	-BLK for black over-coat -AB for antique brass



SP-001



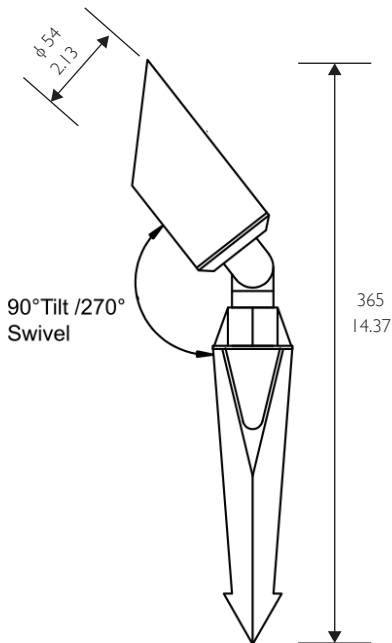
DIMENSIONS

HEIGHT 15.16"
 LENGTH/DEPTH 2.44"
 WIDTH 2.44"

Accent Landscape Lights



SP-002



DIMENSIONS

HEIGHT	14.37"
LENGTH/DEPTH	2.13"
WIDTH	2.13"

PRODUCT SPECS

MOUNTING / INSTALLATION

Wire Lead	3' SPT-2W/18AWGx2C wire lead
Mounting	8" ABS slotted stake

MATERIAL

Housing	Solid brass
Knuckle	Solid cast brass, knob for angle adjustment
Socket	Spade connectors for MR16 lamps
Shroud	Solid cast brass, with turn-to-lock fitting
Finish	Antique brass



ORDERING INFORMATION



LIGHT SOURCE OPTIONS

Choose from:

- Factory-installed smart MR-16 lamp below
- Fixture available without lamp upon request

Wattage	7W
Voltage	12V AC/DC
Lumen Output	500 lm at 3000K
Beam Spread	40°
CCT Options	RGB TW, TW=2200K-6500K
RGBW Options	Infinite color selection via color wheel, quick presets for red, green, blue, amber, purple etc.
Dimming	0-100% dimming
IP	65

HOW TO SPECIFY

FIXTURE	FINISH OPTION
SP-002	-BLK for black over-coat -AB for antique brass



PRODUCT SPECS

MOUNTING / INSTALLATION

Wire Lead 3' SPT-2W/18AWGx2C wire lead
 Mounting 8" ABS slotted stake



MATERIAL

Housing Solid brass
 Knuckle Solid cast brass, knob for angle adjustment
 Socket Spade connectors for MR16 lamps
 Shroud Solid cast brass, with turn-to-lock fitting
 Finish Polished brass

ORDERING INFORMATION



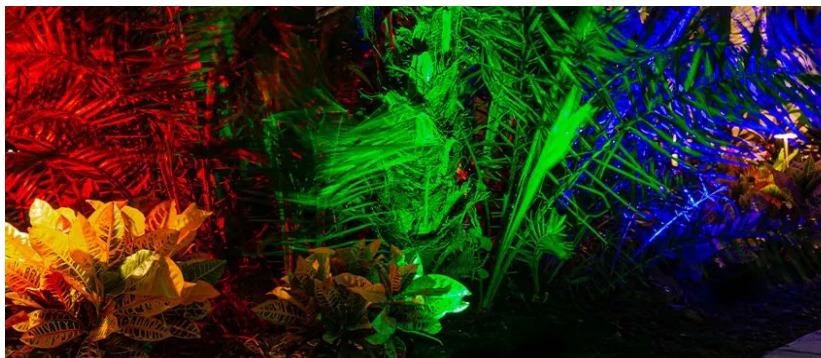
LIGHT SOURCE OPTIONS

- Choose from:
- Factory-installed smart MR-16 lamp below
 - Fixture available without lamp upon request

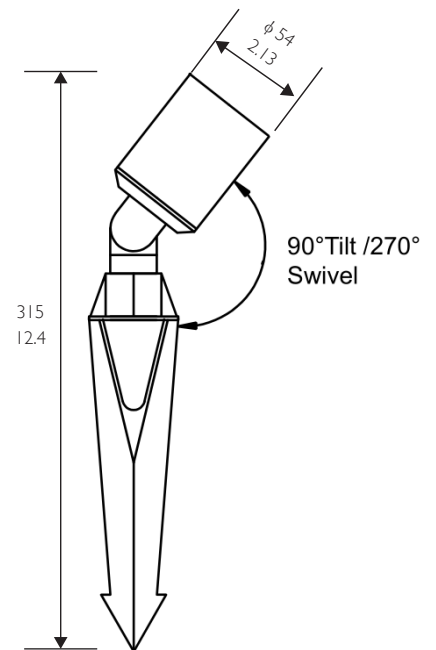
Wattage	7W
Voltage	12V AC/DC
Lumen Output	500 lm at 3000K
Beam Spread	40°
CCT Options	RGB TW, TW=2200K-6500K
RGBW Options	Infinite color selection via color wheel, quick presets for red, green, blue, amber, purple etc.
Dimming	0-100% dimming
IP	65

HOW TO SPECIFY

FIXTURE	FINISH OPTION
SP-003	-BLK for black over-coat -PB for polished brass



SP-003



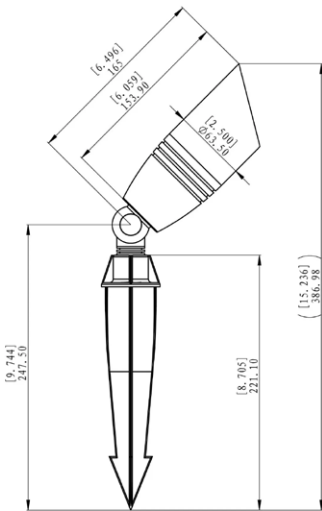
DIMENSIONS

HEIGHT 12.4"
 LENGTH/DEPTH 2.13"
 WIDTH 2.13"

Accent Landscape Lights



SP-004



DIMENSIONS

HEIGHT 15.24"
 LENGTH/DEPTH 2.5"
 WIDTH 2.5"

PRODUCT SPECS

MOUNTING / INSTALLATION

Wire Lead 3' SPT-2W/18AWGx2C wire lead
 Mounting 8" ABS slotted stake

MATERIAL

Housing Solid brass(Convex glass lens included)
 Knuckle Solid cast brass, knob for angle adjustment
 Socket Spade connectors for MR16 lamps
 Shroud Solid cast brass, with turn-to-lock fitting
 Finish Antique brass



ORDERING INFORMATION



LIGHT SOURCE OPTIONS

- Choose from:
- Factory-installed smart MR-16 lamp below
 - Fixture available without lamp upon request

Wattage	7W
Voltage	12V AC/DC
Lumen Output	500 lm at 3000K
Beam Spread	40°
CCT Options	RGB TW, TW=2200K-6500K
RGBW Options	Infinite color selection via color wheel, quick presets for red, green, blue, amber, purple etc.
Dimming	0-100% dimming
IP	65

HOW TO SPECIFY

FIXTURE	FINISH OPTION
SP-004	-BLK for black over-coat -AB for antique brass



PRODUCT SPECS

MOUNTING / INSTALLATION

Wire Lead 3' SPT-2W/18AWGx2C wire lead
 Mounting 8" ABS slotted stake



MATERIAL

Housing Solid brass
 Knuckle Solid cast brass, knob for angle adjustment
 Socket Spade connectors for MR16 lamps
 Shroud Solid cast brass, with turn-to-lock fitting
 Finish Antique brass

ORDERING INFORMATION



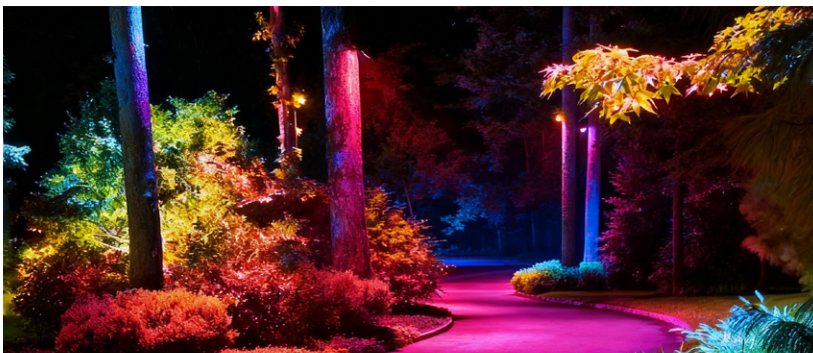
LIGHT SOURCE OPTIONS

- Choose from:
- Factory-installed smart MR-16 lamp below
 - Fixture available without lamp upon request.

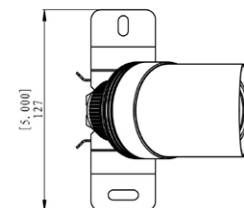
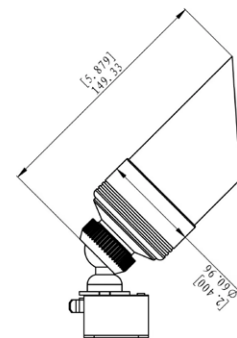
Wattage	7W
Voltage	12V AC/DC
Lumen Output	500 lm at 3000K
Beam Spread	40°
CCT Options	RGB TW, TW=2200K-6500K
RGBW Options	Infinite color selection via color wheel, quick presets for red, green, blue, amber, purple etc.
Dimming	0-100% dimming
IP	65

HOW TO SPECIFY

FIXTURE	FINISH OPTION
SP-005	-BLK for black over-coat -AB for antique brass



SP-005



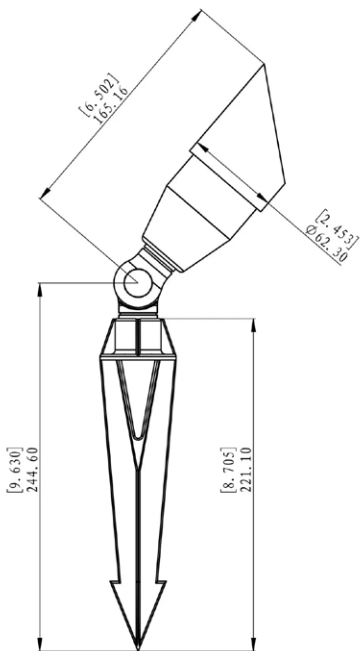
DIMENSIONS

HEIGHT 5.88"
 LENGTH/DEPTH 2.4"
 WIDTH 5"

Accent Landscape Lights



SP-006



DIMENSIONS

HEIGHT	1.75"
LENGTH/DEPTH	7.5"
WIDTH	2.25"

PRODUCT SPECS

MOUNTING / INSTALLATION

Wire Lead 3' SPT-2W #18 wire lead
Mounting Brass tree-mounting bracket and brass nut. Supplied with stainless steel color-matched screws with adjustable stand-offs to accommodate tree growth



MATERIAL

Housing Solid brass
Knuckle Solid cast brass, knob for angle adjustment
Socket Spade connectors for MR16 lamps
Shroud Solid cast brass, with turn-to-lock fitting
Finish Antique brass

ORDERING INFORMATION



LIGHT SOURCE OPTIONS

- Choose from:
- Factory-installed smart MR-16 lamp below
 - Fixture available without lamp upon request

Wattage	7W
Voltage	12V AC/DC
Lumen Output	500 lm at 3000K
Beam Spread	40°
CCT Options	RGB TW, TW=2200K-6500K
RGBW Options	Infinite color selection via color wheel, quick presets for red, green, blue, amber, purple etc.
Dimming	0-100% dimming
IP	65

HOW TO SPECIFY

FIXTURE	FINISH OPTION
SP-006	-BLK for black over-coat -AB for antique brass



PRODUCT SPECS

MOUNTING / INSTALLATION

Wire Lead 3' SPT-2W/18AWGx2C wire lead
 Mounting 8" ABS slotted stake



MATERIAL

Aluminium polyester powder coated black

Socket Spade connectors for MR16 lamps
 Finished Color Matt black

ORDERING INFORMATION



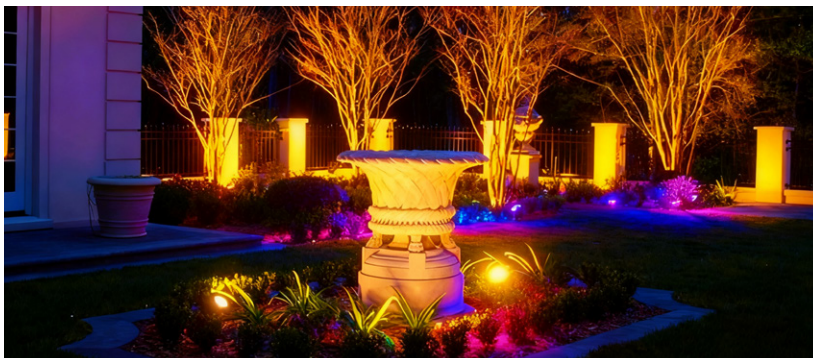
LIGHT SOURCE OPTIONS

- Choose from:
- Factory-installed smart MR-16 lamp below
 - Fixture available without lamp upon request

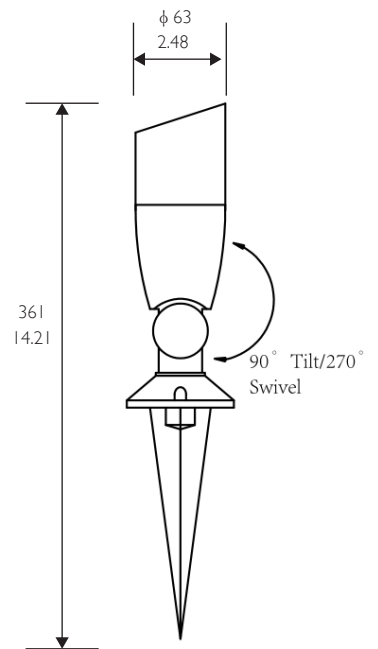
Wattage	7W
Voltage	12V AC/DC
Lumen Output	500 lm at 3000K
Beam Spread	40°
CCT Options	RGB TW, TW=2200K-6500K
RGBW Options	Infinite color selection via color wheel, quick presets for red, green, blue, amber, purple etc.
Dimming	0-100% dimming
IP	65

HOW TO SPECIFY

FIXTURE	FINISH OPTION
SP-007	-BLK for black over-coat



SP-007



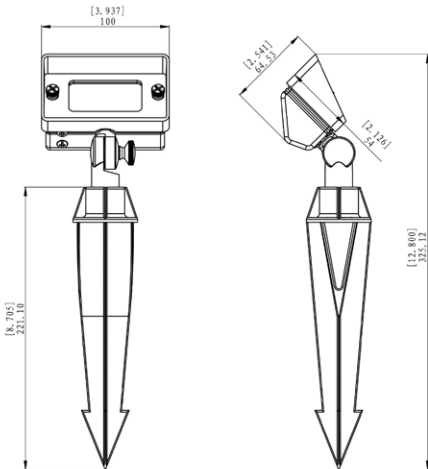
DIMENSIONS

HEIGHT	14.21"
LENGTH/DEPTH	2.48"
WIDTH	2.48"

Accent Landscape Lights



FL-001



DIMENSIONS

HEIGHT 12.8"
 LENGTH/DEPTH 3.94"
 WIDTH 2.54"

PRODUCT SPECS

MOUNTING / INSTALLATION

Wire Lead 3' SPT-2W/18AWGx2C wire lead
 Mounting 8" ABS slotted stake

MATERIAL

Housing Solid brass
 Knuckle Solid cast brass, knob for angle adjustment
 Lens Frosted glass lens
 Socket G4 Bi-pin, spring-loaded, ceramic, with dual contacts. Suitable for T3/G4 lamps
 Shroud Solid cast brass, with turn-to-lock fitting
 Finish Antique brass



ORDERING INFORMATION



LIGHT SOURCE OPTIONS

- Choose from:
- Factory-installed smart T3/G4 lamp included
 - Fixture available without lamp upon request

Wattage	3W
Voltage	12V AC/DC
Lumen Output	200lm at 3000K
Beam Spread	100°
CCT Options	RGB TW, TW=2200K-6500K
RGBW Options	Infinite color selection via color wheel, quick presets for red, green, blue, amber, purple etc.
Dimming	0-100% dimming
IP	65

HOW TO SPECIFY

FIXTURE	FINISH OPTION
FL-001	-BLK for black over-coat -AB for antique brass



PRODUCT SPECS

MOUNTING / INSTALLATION

Wire Lead 3' SPT-2W/18AWGx2C wire lead.
 Mounting 8" ABS slotted stake.



MATERIAL

Housing Solid brass
 Knuckle Solid cast brass, knob for angle adjustment
 Socket Spade connectors for PAR36(AR111) lamps
 Shroud Solid cast brass, with turn-to-lock fitting
 Finish Antique brass



ORDERING INFORMATION



LIGHT SOURCE OPTIONS

- Choose from:
- Factory-installed Smart PAR36(AR111) lamp below
 - Fixture available without lamp upon request
 - PAR36 lamp IP rating 67

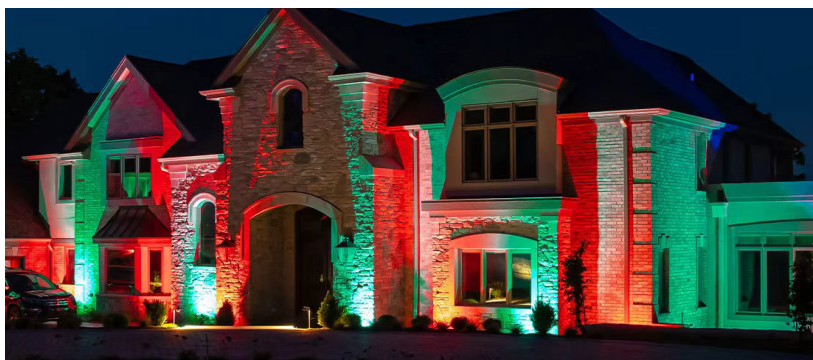
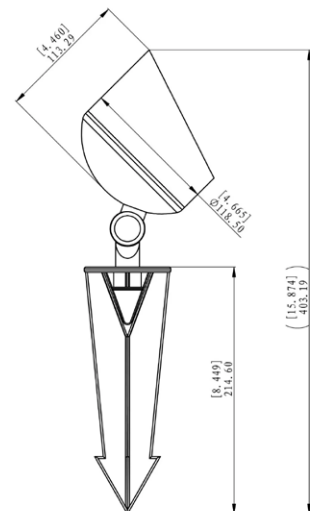
Wattage	11W
Voltage	12V AC/DC
Lumen Output	900lm at 3000K
Beam Spread	40°
CCT Options	RGB TW, TW=2200K-6500K
RGBW Options	Infinite color selection via color wheel, quick presets for red, green, blue, amber, purple etc.
Dimming	0-100% dimming
IP	65



FL-002

HOW TO SPECIFY

FIXTURE	FINISH OPTION
FL-002	-BLK for black over-coat -AB for antique brass



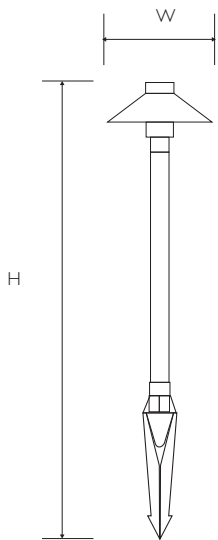
DIMENSIONS

HEIGHT 15.88"
 LENGTH/DEPTH 4.67"
 WIDTH 4.67"

Path Lights



PA-001



DIMENSIONS

	S	M	L
HEIGHT	23.62"	23.62"	23.62"
WIDTH	3.94"	6.69"	7.48"

PRODUCT SPECS

MOUNTING / INSTALLATION

Wire Lead 3' SPT-2W/18AWGx2C wire lead
 Mounting 8" ABS slotted stake



CONSTRUCTION

Material Solid cast brass (hat and stem)
 Lens Clear PC
 Socket G4 Bi-pin, Spring-loaded ceramic, with dual contacts
 Suitable for T3/G4 lamps
 Finish Antique brass

ORDERING INFORMATION



LIGHT SOURCE OPTIONS

- Choose from:
- Factory-installed smart T3/G4 lamp included
 - Fixture available without lamp upon request

Wattage	3W
Voltage	12V AC/DC
Lumen Output	200lm at 3000K
Beam Spread	150°
CCT Options	RGB TW, TW=2200K-6500K
RGBW Options	Infinite color selection via color wheel, quick presets for red, green, blue, amber, purple etc.
Dimming	0-100% dimming
IP	65

HOW TO SPECIFY

FIXTURE	FINISH OPTION
PA-001S PA-001M PA-001L	-BLK for black over-coat -AB for antique brass



PRODUCT SPECS

MOUNTING / INSTALLATION

Wire Lead 3' SPT-2W/18AWGx2C wire lead
 Mounting 8" ABS slotted stake



CONSTRUCTION

Material Solid cast brass (hat and stem)
 Lens Clear PC
 Socket G4 Bi-pin, Spring-loaded ceramic, with dual contacts
 Suitable for T3/G4 lamps
 Finish Antique brass

ORDERING INFORMATION



LIGHT SOURCE OPTIONS

- Choose from:
- Factory-installed smart T3/G4 lamp included
 - Fixture available without lamp upon request

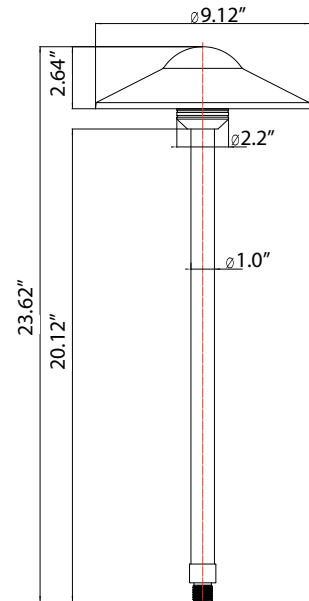
Wattage	3W
Voltage	12V AC/DC
Lumen Output	200lm at 3000K
Beam Spread	150°
CCT Options	RGB TW, TW=2200K-6500K
RGBW Options	Infinite color selection via color wheel, quick presets for red, green, blue, amber, purple etc.
Dimming	0-100% dimming
IP	65

HOW TO SPECIFY

FIXTURE	FINISH OPTION
PA-002	-BLK for black over-coat -AB for antique brass



PA-002



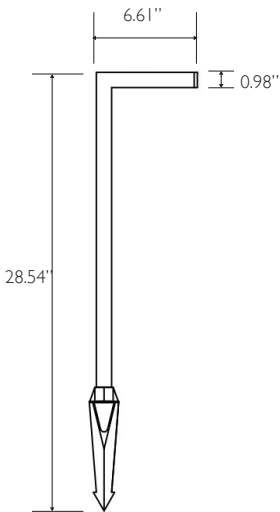
DIMENSIONS

HEIGHT 23.62"
 LENGTH/DEPTH 9.12"
 WIDTH 9.12"

Path Lights



PA-003



DIMENSIONS

HEIGHT 28.54"
 LENGTH/DEPTH 6.61"
 WIDTH 0.98"

PRODUCT SPECS

MOUNTING / INSTALLATION

Wire Lead 3' SPT-2W/18AWGx2C wire lead
 Mounting 8" ABS slotted stake

MATERIAL

Housing Solid brass
 Lens Frosted polycarbonate lens installed
 Socket G4 Bi-pin, Spring-loaded ceramic, with dual contacts
 Suitable for T3/G4 lamps
 Finish Antique brass



ORDERING INFORMATION



LIGHT SOURCE OPTIONS

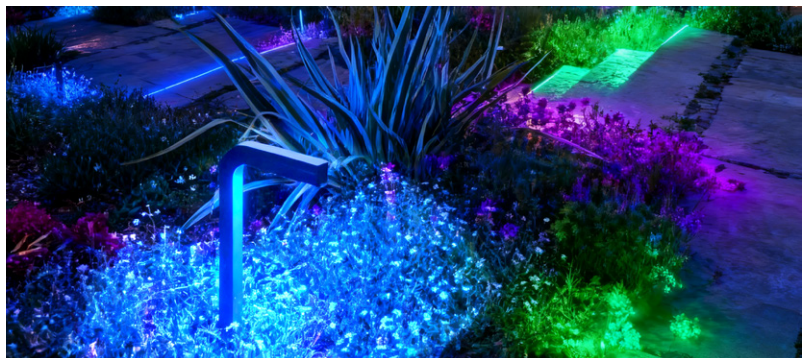
Choose from:

- Factory-installed smart T3/G4 lamp included
- Fixture available without lamp upon request

Wattage	3W
Voltage	12V AC/DC
Lumen Output	200lm at 3000K
Beam Spread	100°
CCT Options	RGB TW, TW=2200K-6500K
RGBW Options	Infinite color selection via color wheel, quick presets for red, green, blue, amber, purple etc.
Dimming	0-100% dimming
IP	65

HOW TO SPECIFY

FIXTURE	FINISH OPTION
PA-003	-BLK for black over-coat -AB for antique brass



PRODUCT SPECS

MOUNTING / INSTALLATION

Wire Lead 3' SPT-2W/18AWGx2C wire lead
 Mounting 8" ABS slotted stake



MATERIAL

Material Solid brass
 Lens Frosted polycarbonate lens installed
 Socket G4 Bi-pin, Spring-loaded ceramic, with dual contacts
 Suitable for T3/G4 lamps
 Finish Antique brass

ORDERING INFORMATION



LIGHT SOURCE OPTIONS

- Choose from:
- Factory-installed smart T3/G4 lamp included
 - Fixture available without lamp upon request

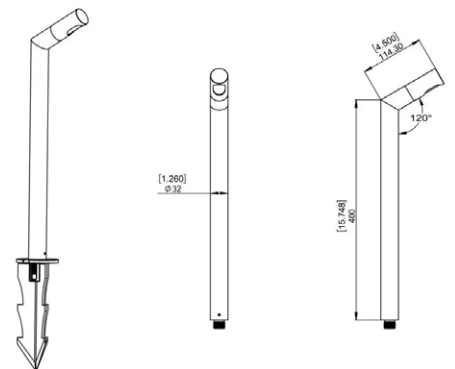
Wattage	3W
Voltage	12V AC/DC
Lumen Output	200lm at 3000K
Beam Spread	100°
CCT Options	RGB TW, TW=2200K-6500K
RGBW Options	Infinite color selection via color wheel, quick presets for red, green, blue, amber, purple etc.
Dimming	0-100% dimming
IP	65

HOW TO SPECIFY

FIXTURE	FINISH OPTION
PA-004	-BLK for black over-coat -AB for antique brass



PA-004



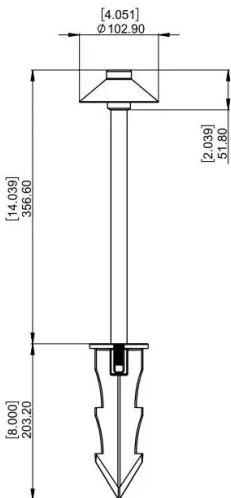
DIMENSIONS

HEIGHT 15.75"
 LENGTH/DEPTH 4.5"
 WIDTH 1.26"

Path Lights



PA-005



DIMENSIONS

HEIGHT	22"
LENGTH/DEPTH	4.05"
WIDTH	4.05"

PRODUCT SPECS

MOUNTING / INSTALLATION

Wire Lead 3' SPT-2W/18AWGx2C wire lead
 Mounting 8" ABS slotted stake



CONSTRUCTION

Material Solid cast brass (hat and stem)
 Lens Clear PC
 Socket G4 Bi-pin, Spring-loaded ceramic, with dual contacts. Suitable for T3/G4 lamps
 Finish Antique brass

ORDERING INFORMATION



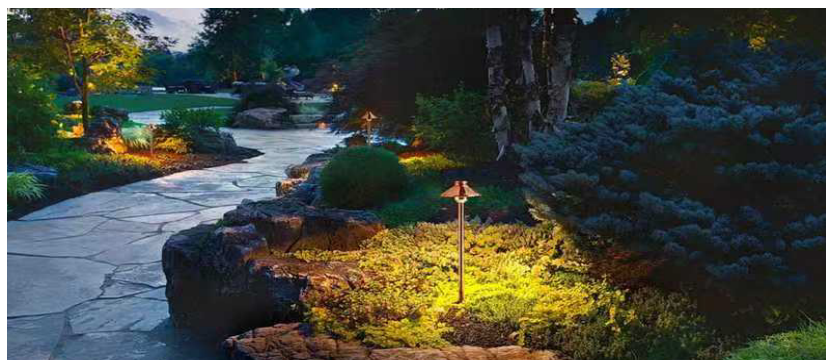
LIGHT SOURCE OPTIONS

- Choose from:
- Factory-installed smart T3/G4 lamp included
 - Fixture available without lamp upon request

Wattage	3W
Voltage	12V AC/DC
Lumen Output	200lm at 3000K
Beam Spread	150°
CCT Options	RGB TW, TW=2200K-6500K
RGBW Options	Infinite color selection via color wheel, quick presets for red, green, blue, amber, purple etc.
Dimming	0-100% dimming
IP	65

HOW TO SPECIFY

FIXTURE	FINISH OPTION
PA-005	-BLK for black over-coat -AB for antique brass



PRODUCT SPECS

MOUNTING / INSTALLATION

Wire Lead 3' SPT-2W/18AWGx2C wire lead
 Mounting 8" ABS slotted stake



CONSTRUCTION

Material Solid cast brass (hat and stem)
 Lens Clear PC
 Socket G4 Bi-pin, Spring-loaded ceramic, with dual contacts
 Suitable for T3/G4 lamps
 Finish Antique brass

ORDERING INFORMATION



LIGHT SOURCE OPTIONS

- Choose from:
- Factory-installed smart T3/G4 lamp included
 - Fixture available without lamp upon request

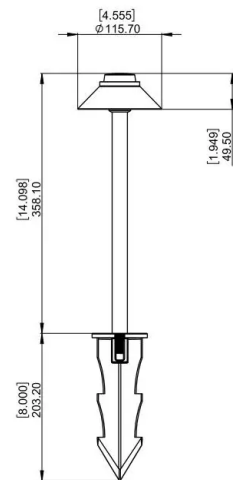
Wattage	3W
Voltage	12V AC/DC
Lumen Output	200lm at 3000K
Beam Spread	100°
CCT Options	RGB TW, TW=2200K-6500K
RGBW Options	Infinite color selection via color wheel, quick presets for red, green, blue, amber, purple etc.
Dimming	0-100% dimming
IP	65

HOW TO SPECIFY

FIXTURE	FINISH OPTION
PA-006	-BLK for black over-coat -AB for antique brass



PA-006



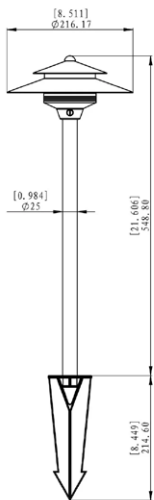
DIMENSIONS

HEIGHT 22.1"
 LENGTH/DEPTH 4.56"
 WIDTH 4.56"

Path Lights



PA-007



DIMENSIONS

HEIGHT 30.1"
 LENGTH/DEPTH 8.51"
 WIDTH 8.51"

PRODUCT SPECS

MOUNTING / INSTALLATION

Wire Lead 3' SPT-2W/18AWGx2C wire lead
 Mounting 8" ABS slotted stake



CONSTRUCTION

Material Solid cast brass (hat and stem)
 Lens Clear PC
 Socket G4 Bi-pin, Spring-loaded ceramic, with dual contacts
 Suitable for T3/G4 lamps
 Finish Antique brass



ORDERING INFORMATION



LIGHT SOURCE OPTIONS

- Choose from:
- Factory-installed smart T3/G4 lamp included
 - Fixture available without lamp upon request

Wattage	3W
Voltage	12V AC/DC
Lumen Output	200lm at 3000K
Beam Spread	150°
CCT Options	RGB TW, TW=2200K-6500K
RGBW Options	Infinite color selection via color wheel, quick presets for red, green, blue, amber, purple etc.
Dimming	0-100% dimming
IP	65

HOW TO SPECIFY

FIXTURE	FINISH OPTION
PA-007	-BLK for black over-coat -AB for antique brass



PRODUCT SPECS

MOUNTING / INSTALLATION

Wire Lead 3' SPT-2W/18AWGx2C wire lead
 Mounting 8" ABS slotted stake



CONSTRUCTION

Material Solid cast brass (hat and stem)
 8.25" umbrella hat, miniature collar,
 Frosted PC tube with double rubber bungs for
 water-tight seal, 18" vintage brass stem
 Lens Clear PC
 Socket G4 Bi-pin, Spring-loaded ceramic, with dual contacts
 Suitable for T3/G4 lamps
 Finish Antique brass

ORDERING INFORMATION



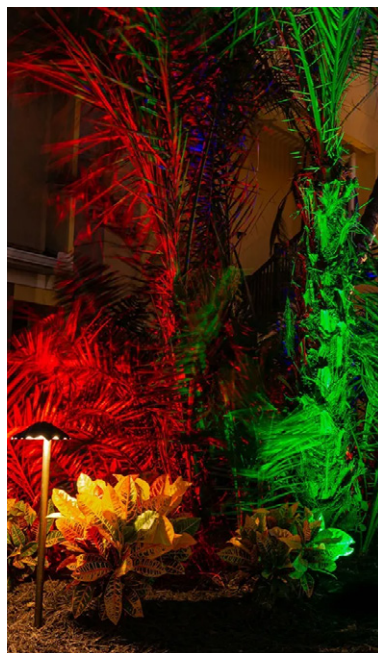
LIGHT SOURCE OPTIONS

- Choose from:
- Factory-installed smart T3/G4 lamp included
 - Fixture available without lamp upon request

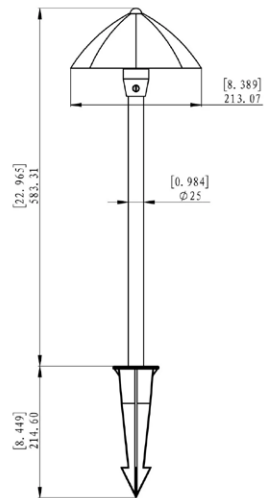
Wattage	3W
Voltage	12V AC/DC
Lumen Output	200lm at 3000K
Beam Spread	100°
CCT Options	RGB TW, TW=2200K-6500K
RGBW Options	Infinite color selection via color wheel, quick presets for red, green, blue, amber, purple etc.
Dimming	0-100% dimming
IP	65

HOW TO SPECIFY

FIXTURE	FINISH OPTION
PA-008	-BLK for black over-coat -AB for antique brass



PA-008



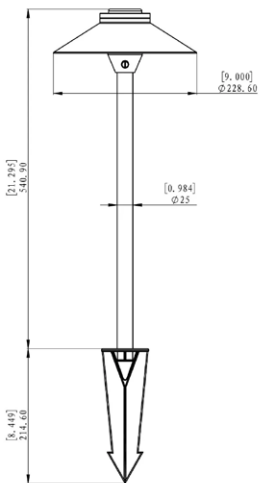
DIMENSIONS

HEIGHT 31.41"
 LENGTH/DEPTH 8.39"
 WIDTH 8.39"

Path Lights



PA-009



DIMENSIONS

HEIGHT 29.74"
 LENGTH/DEPTH 9"
 WIDTH 9"

PRODUCT SPECS

MOUNTING / INSTALLATION

Wire Lead 3' SPT-2W/18AWGx2C wire lead
 Mounting 8" ABS slotted stake



CONSTRUCTION

Material Solid cast brass (hat and stem)
 18" antique brass stem
 Lens Clear PC
 Socket G4 Bi-pin, Spring-loaded ceramic, with dual contacts
 Suitable for T3/G4 lamps
 Finish Antique brass

ORDERING INFORMATION



LIGHT SOURCE OPTIONS

- Choose from:
- Factory-installed smart T3/G4 lamp included
 - Fixture available without lamp upon request

Wattage	3W
Voltage	12V AC/DC
Lumen Output	200lm at 3000K
Beam Spread	150°
CCT Options	RGB TW, TW=2200K-6500K
RGBW Options	Infinite color selection via color wheel, quick presets for red, green, blue, amber, purple etc.
Dimming	0-100% dimming
IP	65

HOW TO SPECIFY

FIXTURE	FINISH OPTION
PA-009	-BLK for black over-coat -AB for antique brass



PRODUCT SPECS

MOUNTING / INSTALLATION

Wire Lead 3' SPT-2W/18AWGx2C wire lead
 Mounting 8" ABS slotted stake



CONSTRUCTION

Material Solid cast brass (hat and stem)
 Lens Clear PC
 Socket G4 Bi-pin, Spring-loaded ceramic, with dual contacts
 Suitable for T3/G4 lamps
 Finish Antique brass

ORDERING INFORMATION



LIGHT SOURCE OPTIONS

- Choose from:
- Factory-installed smart T3/G4 lamp included
 - Fixture available without lamp upon request

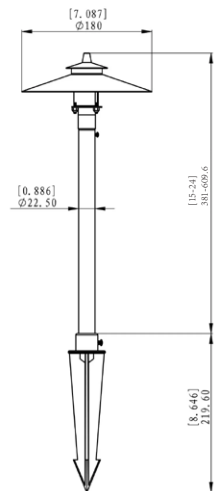
Wattage	3W
Voltage	12V AC/DC
Lumen Output	200lm at 3000K
Beam Spread	100°
CCT Options	RGB TW, TW=2200K-6500K
RGBW Options	Infinite color selection via color wheel, quick presets for red, green, blue, amber, purple etc.
Dimming	0-100% dimming
IP	65

HOW TO SPECIFY

FIXTURE	FINISH OPTION
PA-010	-BLK for black over-coat -AB for antique brass



PA-010

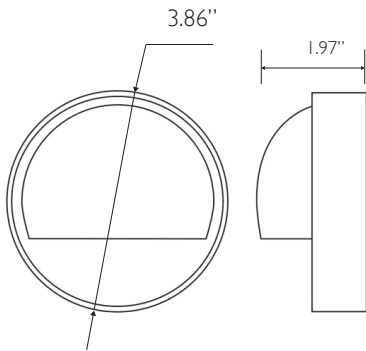


DIMENSIONS

HEIGHT 23.6-32.6"
 LENGTH/DEPTH 7.09"
 WIDTH 7.09"



DK-001



DIMENSIONS

HEIGHT 1.97"
 LENGTH/DEPTH 3.86"
 WIDTH 3.86"

PRODUCT SPECS

MOUNTING / INSTALLATION

Wire Lead 3' SPT-2W/18AWGx2C wire lead
 Mounting Wall plate, fixture attached with screws



MATERIAL

Housing Solid cast brass
 Lens Clear PC
 Socket G4 Bi-pin, Spring-loaded ceramic, with dual contacts
 Suitable for T3/G4 lamps
 Finish Antique brass



ORDERING INFORMATION



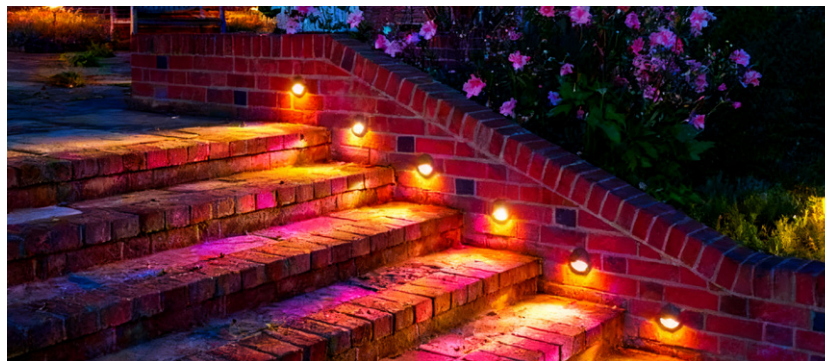
LIGHT SOURCE OPTIONS

- Choose from:
- Factory-installed smart T3/G4 lamp included
 - Fixture available without lamp upon request

Wattage	3W
Voltage	12V AC/DC
Lumen Output	150lm at 3000K
Beam Spread	40°
CCT Options	RGB TW, TW=2200K-6500K
RGBW Options	Infinite color selection via color wheel, quick presets for red, green, blue, amber, purple etc.
Dimming	0-100% dimming
IP	65

HOW TO SPECIFY

FIXTURE	FINISH OPTION
DK-001	-BLK for black over-coat -AB for antique brass



PRODUCT SPECS

MOUNTING / INSTALLATION

Wire Lead 3' SPT-2W/18AWGx2C wire lead
 Mounting Wall plate, fixture attached with allen screws



MATERIAL

Housing Solid cast brass
 Lens Frosted lens
 Socket G4 Bi-pin, spring-loaded ceramic, with dual contacts
 Suitable for T3/G4 lamps
 Finish Natural brass



ORDERING INFORMATION



LIGHT SOURCE OPTIONS

- Choose from:
- Factory-installed smart T3/G4 lamp included
 - Fixture available without lamp upon request

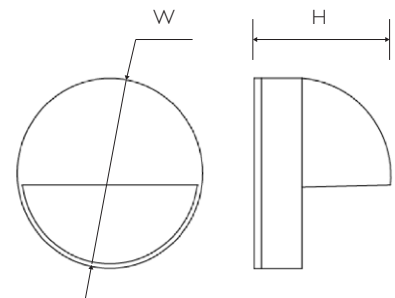
Wattage	3W
Voltage	12V AC/DC
Lumen Output	150lm at 3000K
Beam Spread	40°
CCT Options	RGB TW, TW=2200K-6500K
RGBW Options	Infinite color selection via color wheel, quick presets for red, green, blue, amber, purple etc.
Dimming	0-100% dimming
IP	65



DK-002

HOW TO SPECIFY

FIXTURE	FINISH OPTION
DK-002S DK-002M DK-002L	-BLK for black over-coat -NB for natural brass

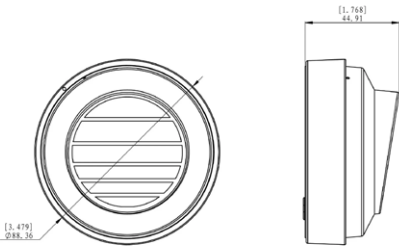


DIMENSIONS

	S	M	L
HEIGHT	2.05"	2.05"	2.05"
LENGTH/DEPTH	2.68"	3.94"	5.91"
WIDTH	2.68"	3.94"	5.91"



DK-003



DIMENSIONS

HEIGHT 1.77"
WIDTH 3.48"

PRODUCT SPECS

MOUNTING / INSTALLATION

Wire Lead 3' SPT-2W/18AWGx2C wire lead
Mounting Wall plate

MATERIAL

Housing Mini recessed niche light with louvers
Cast brass lock and load cover
Lens Frosted tempered glass lens
Socket G4 Bi-pin, spring-loaded ceramic, with dual contacts
Suitable for T3/G4 lamps
Finish Antique brass



ORDERING INFORMATION



LIGHT SOURCE OPTIONS

- Choose from:
- Factory-installed smart T3/G4 lamp included
 - Fixture available without lamp upon request

Wattage	3W
Voltage	12V AC/DC
Lumen Output	150lm at 3000K
Beam Spread	100°
CCT Options	RGB TW, TW=2200K-6500K
RGBW Options	Infinite color selection via color wheel, quick presets for red, green, blue, amber, purple etc.
Dimming	0-100% dimming
IP	65

HOW TO SPECIFY

FIXTURE	FINISH OPTION
DK-003	-BLK for black over-coat -AB for antique brass



PRODUCT SPECS

MOUNTING / INSTALLATION

Wire Lead 3' SPT-2W/18AWGx2C wire lead
 Mounting Wall plate, fixture attached with screws



MATERIAL

Housing Solid cast brass
 Lens Frosted lens
 Socket G4 Bi-pin, spring-loaded ceramic, with dual contacts
 Suitable for T3/G4 lamps
 Finish Antique brass



ORDERING INFORMATION



LIGHT SOURCE OPTIONS

- Choose from:
- Factory-installed smart T3/G4 lamp included
 - Fixture available without lamp upon request

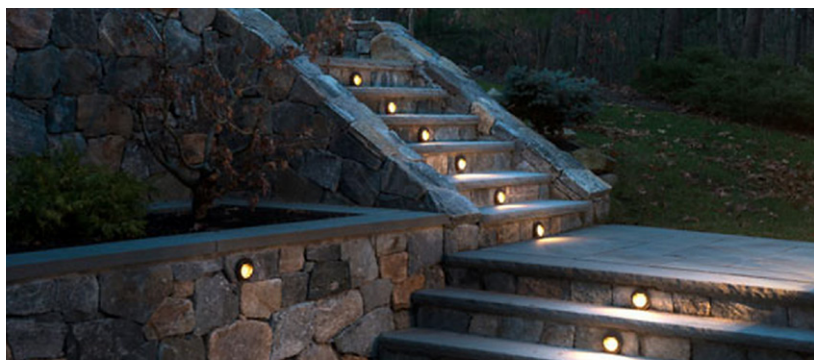
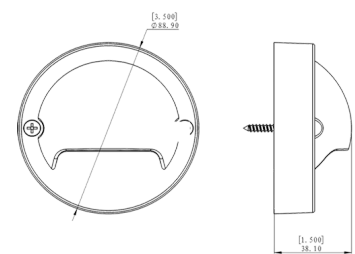
Wattage	3W
Voltage	12V AC/DC
Lumen Output	150lm at 3000K
Beam Spread	40°
CCT Options	RGB TW, TW=2200K-6500K
RGBW Options	Infinite color selection via color wheel, quick presets for red, green, blue, amber, purple etc.
Dimming	0-100% dimming
IP	65



DK-004

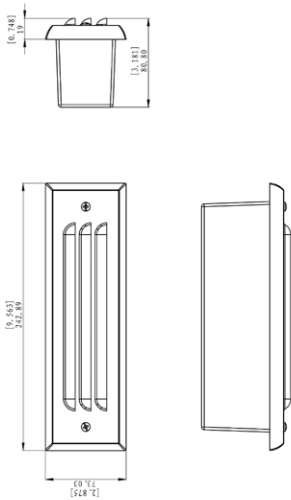
HOW TO SPECIFY

FIXTURE	FINISH OPTION
DK-004	-BLK for black over-coat -AB for antique brass



DIMENSIONS

HEIGHT 1.5"
 LENGTH/DEPTH 3.5"
 WIDTH 3.5"



DIMENSIONS

HEIGHT	3.18"
LENGTH/DEPTH	9.56"
WIDTH	2.88"

PRODUCT SPECS

MOUNTING / INSTALLATION

Wire Lead 3' SPT-2W/18AWGx2C wire lead
Mounting Wall plate, fixture attached with allen screws

MATERIAL

Housing Cast brass faceplate + injection molded ABS housing
Lens Clear glass lens
Socket G4 Bi-pin, spring-loaded ceramic, with dual contacts
 Suitable for T3/G4 lamps
Finish Antique brass



ORDERING INFORMATION



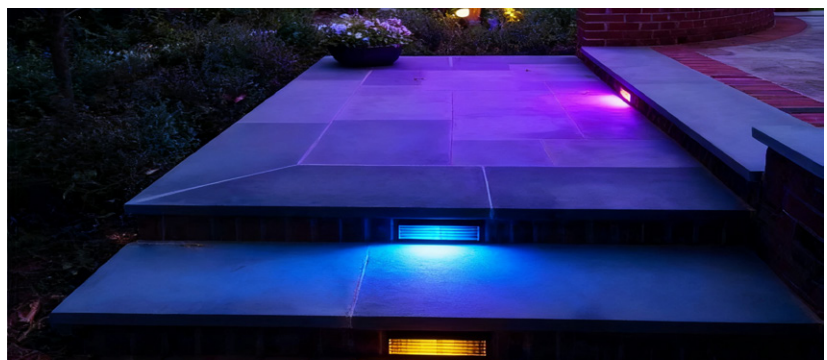
LIGHT SOURCE OPTIONS

- Choose from:
- Factory-installed smart T3/G4 lamp below
 - Fixture available without lamp upon request

Wattage	3W
Voltage	12V AC/DC
Lumen Output	150lm at 3000K
Beam Spread	100°
CCT Options	RGB TW, TW=2200K-6500K
RGBW Options	Infinite color selection via color wheel, quick presets for red, green, blue, amber, purple etc.
Dimming	0-100% dimming
IP	65

HOW TO SPECIFY

FIXTURE	FINISH OPTION
SL-00 I	-BLK for black over-coat -AB for antique brass



PRODUCT SPECS

MOUNTING / INSTALLATION

Wire Lead 3' SPT-2W/18AWGx2C wire lead
 Mounting Wall plate, fixture attached with allen screws



MATERIAL

Housing 4" high arc brass fixture + mounting hardware
 Lens Glass lens
 Socket G4 Bi-pin, spring-loaded ceramic, with dual contacts
 Suitable for T3/G4 lamps
 Finish Antique brass

ORDERING INFORMATION



LIGHT SOURCE OPTIONS

- Choose from:
- Factory-installed smart T3/G4 lamp below
 - Fixture available without lamp upon request

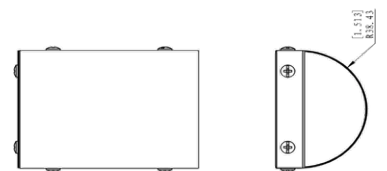
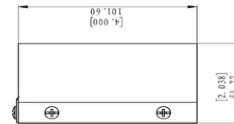
Wattage	3W
Voltage	12V AC/DC
Lumen Output	150lm at 3000K
Beam Spread	Up and down light output
CCT Options	RGB TW, TW=2200K-6500K
RGBW Options	Infinite color selection via color wheel, quick presets for red, green, blue, amber, purple etc.
Dimming	0-100% dimming
IP	54

HOW TO SPECIFY

FIXTURE	FINISH OPTION
WL-001	-BLK for black over-coat -AB for antique brass



WL-001



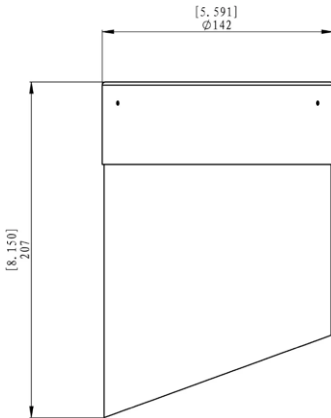
DIMENSIONS

HEIGHT 4"
 LENGTH/DEPTH 2.04"
 WIDTH 1.51"

In Ground Lights



IG-001



DIMENSIONS

HEIGHT 8.15"
 LENGTH/DEPTH 5.59"
 WIDTH 5.59"

PRODUCT SPECS

MOUNTING / INSTALLATION

Wire Lead 3' SPT-2W/18AWGx2C wire lead
Mounting Suitable for areas with high foot traffic
 Lens is not drive-over rated

MATERIAL

Housing D2" solid brass cover, Black anti-impact ABS housing
Lid Clear glass lens, Angled side cut for easy mounting, Stationary stainless steel gimbal ring to hold the lamp strongly
Socket Low voltage lamp holder, Direct burial cable
Finish Antique brass



ORDERING INFORMATION



LIGHT SOURCE OPTIONS

- Choose from:
- Factory-installed Smart PAR36(AR111) lamp below
 - Fixture available without lamp upon request
 - PAR36 lamp IP rating 67

Wattage	11W
Voltage	12V AC/DC
Lumen Output	900lm at 3000K
Beam Spread	40°
CCT Options	RGB TW, TW=2200K-6500K
RGBW Options	Infinite color selection via color wheel, quick presets for red, green, blue, amber, purple etc.
Dimming	0-100% dimming
IP	67

HOW TO SPECIFY

FIXTURE	FINISH OPTION
IG-001	-BLK for black over-coat -AB for antique brass



PRODUCT SPECS

MOUNTING / INSTALLATION

Wire Lead 3' SPT-2W/18AWGx2C wire lead
 Mounting Mounting base with three color-matched screws



MATERIAL

Housing Solid brass
 Knuckle Solid cast brass, knob for angle adjustment
 Socket Spade connectors for MR16 lamps
 Finish Natural brass

ORDERING INFORMATION



LIGHT SOURCE OPTIONS

- Choose from:
- Factory-installed Smart MR-16 lamp below
 - Fixture available without lamp upon request

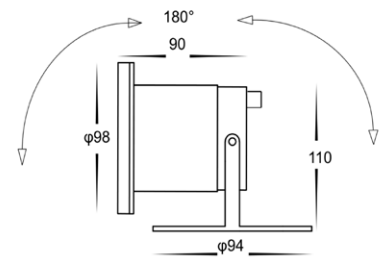
Wattage	7W
Voltage	12V AC/DC
Lumen Output	500lm at 3000K
Beam Spread	40°
CCT Options	RGB TW, TW=2200K-6500K
RGBW Options	Infinite color selection via color wheel, quick presets for red, green, blue, amber, purple etc.
Dimming	0-100% dimming
IP	68

HOW TO SPECIFY

FIXTURE	FINISH OPTION
UW-001	-BLK for black over-coat -NB for natural brass



UW-001



DIMENSIONS

HEIGHT 5.31"
 LENGTH/DEPTH 3.86"
 WIDTH 3.86"





LED LANDSCAPE LAMPS



MR16 RGBTW



T3/G4 RGBTW



PAR36 RGBTW



APP-CONTROLLED COLOR-CHANGING LAMPS

Easily Retrofit Existing Fixtures By Swapping To Hanri Smart Lamps

Add the control capabilities of Hanri's System to existing lighting fixtures with Hanri drop-in lamps. Like Hanri fixtures, these lamps offer app controls, RGBW color adjustability, tunable white and dimming capability.

PRODUCT SPECS

- Operates with app from any mobile device (phone, tablet) with either iOS or Android
- Operating Voltage: 12V AC/DC
- CRI>80
- Rated hours: 50,000
- Ambient operating temperature: -40°F ~ 131°F (-40°C ~ +55°C)

Dimming Control

Control individual lamps intensity from 0% to 100%



Color Temperature Control

Tune individual lamps output infinitely from warm 2200K to 6500K



RGBW Color Control

Paint a landscape with rich, colorful light. Choose from up to 30,000 different custom colors, plus easy preset colors.

Scene/Theme Creation

Create custom lighting schemes to suit specific times of night, activities, moods or events.



Model #	Wattage	Beam Spread	Delivered Lumens	Color Temp.
MR16	7W	40° Flood	10-500	2200-6500K
T3/G4	3W	300° Spread	10-200	2200-6500K
PAR36	11W	40° Flood	10-900	2200-6500K

DESCRIPTION

Bring color to your lighting design with Hanri MR16 lamps. Control CCT from 2200K to 6500K and a wide range of reds, greens, and blues from your smart device. Suitable for damp locations and for use in totally enclosed luminaires. Not for underwater use.

RGBTW MR16 FEATURES

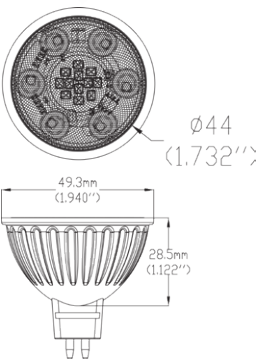
- Matter Over Thread enabled
- RGBW - 2200K to 6500K and a wide range of reds, greens, and blues
- Control landscape lighting from your home device
- Use Hanri Smart app to change lamp settings
 1. Turn on and off
 2. Set and change colors
 3. Set and control dimming
 4. Set and control schedules
 5. Set astronomical timers for sunrise/sunset
 6. Program custom scenes to run with one tap
 7. Control devices independently or as a group
- Android and iOS compatible



Wattage	7W
Power Factor	>0.6
Lumens	500lm at 3000K
Color Temperature	2200-6500K
Beam Spread	40°
Color	RGB W TW, TW=2200-6500K
Input Voltage	12V AC/DC/60Hz
Replaces	50W Halogen
CRI	80
IP	54
Lamp Life (hours)	50,000
Warranty (years)	3



MR16



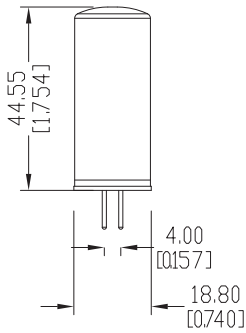
DIMENSIONS

HEIGHT 1.94"
DIA 1.94"

Landscape Lamp T3/G4



T3/G4



DIMENSIONS

HEIGHT 1.75"
DIA 0.74"

DESCRIPTION

Bring color to your lighting design with Hanri T3/G4 lamps. Control CCT from 2200K to 6500K and a wide range of reds, greens, and blues from your smart device. Suitable for damp locations and for use in totally enclosed luminaires. Not for underwater use.

RGBTW T3/G4 FEATURES

- Matter Over Thread enabled
- RGBW - 2200K to 6500K and a wide range of reds, greens, and blues
- Control landscape lighting from your home device
- Use Hanri Smart app to change lamp settings
 1. Turn on and off
 2. Set and change colors
 3. Set and control dimming
 4. Set and control schedules
 5. Set astronomical timers for sunrise/sunset
 6. Program custom scenes to run with one tap
 7. Control devices independently or as a group
- Android and iOS compatible



Wattage	3W
Power Factor	>0.6
Lumens	200lm at 3000K
Color Temperature	2200-6500K
Beam Spread	300°
Color	RGB W TW, TW=2200-6500K
Input Voltage	12V AC/DC/60Hz
Replaces	20W Halogen
CRI	80
IP	54
Lamp Life (hours)	50,000
Warranty (years)	3



DESCRIPTION

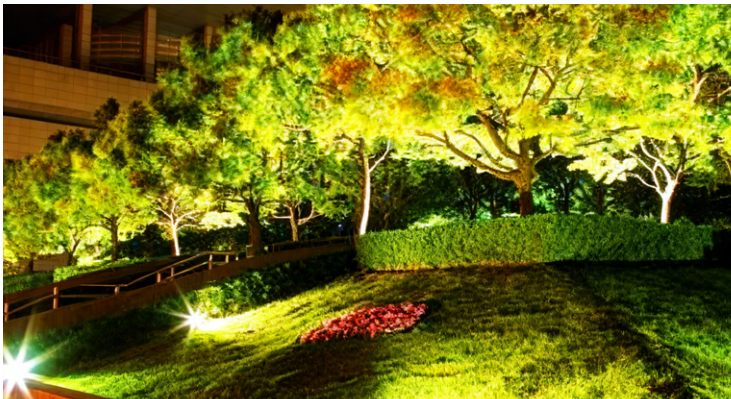
Bring color to your lighting design with Hanri PAR36(ARI II) lamps. Control CCT from 2200K to 6500K and a wide range of reds, greens, and blues from your smart device. Suitable for damp locations and for use in totally enclosed luminaires. Not suitable for underwater use

RGBTW PAR36(ARI II) FEATURES

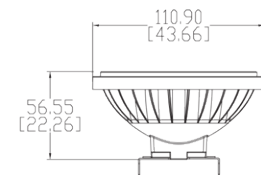
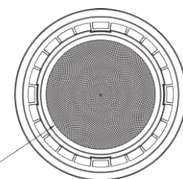
- Matter Over Thread enabled
- RGBW - 2200K to 6500K and a wide range of reds, greens, and blues
- Control landscape lighting from your home device
- Use Hanri Smart app to change lamp settings
 1. Turn on and off
 2. Set and change colors
 3. Set and control dimming
 4. Set and control schedules
 5. Set astronomical timers for sunrise/sunset
 6. Program custom scenes to run with one tap
 7. Control devices independently or as a group
- Android and iOS compatible



Wattage	11W
Power Factor	>0.6
Lumens	900lm at 3000K
Color Temperature	2200-6500K
Beam Spread	40°
Color	RGB W TW, TW=2200-6500K
Input Voltage	12V AC/DC/60Hz
Replaces	75W Halogen
CRI	80
IP	67
Lamp Life (hours)	50,000
Warranty (years)	3



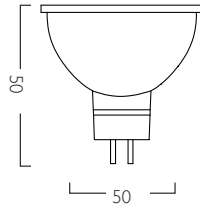
PAR36(ARI II)



DIMENSIONS

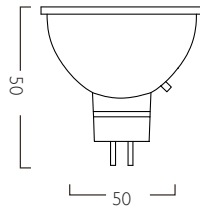
HEIGHT 22.26"
DIA 43.66"

Landscape Lamp MR16



MR16-5W-38D-WH

Power	5W
Lumens	500-550lm
Voltage	12V AC/DC/60Hz
CRI	>80
Beam Angle	38°
Dimmable	Non-dimmable
CCT	2700/3000/4000/5000K



MR16-5W-3CCT-38D-WH 3CCT Selectable Switch

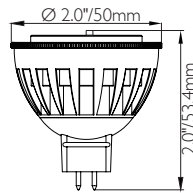
Power	5W
Lumens	500-550lm
Voltage	12V AC/DC/60Hz
CRI	>80
Beam Angle	38°
Dimmable	Non-dimmable
CCT	2700/3000/4000K 3CCT Select



Click the button
Adjust color temperature

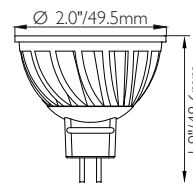
MR16-8W-5CCT-3B-BK

Power	5W
Lumens	640lm
Voltage	12V AC/DC/60Hz
CRI	85
Beam Angle	15/30/45/60° Each 1 Piece
Dimmable	Non-dimmable
CCT	2700/3000/4000/5000/6000K Adjustable



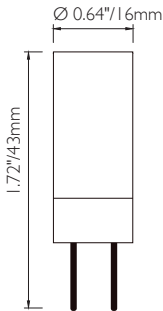
MR16-7W-3BADJ-BK

Power	7W
Lumens	400lm
Voltage	12V AC/DC/60Hz
CRI	85
Beam Angle	20/40/60° Beam Adjustable
Dimmable	Non-dimmable
CCT	2700-6000K



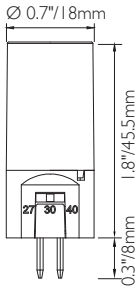
G4-CR4-4W

Power	3W
Lumens	350-400lm
Voltage	12V AC/DC/60Hz
CRI	>80
Beam Angle	360°
Dimmable	Non-dimmable
CCT	2700/3000/4000/5000K



G4-CT3-3W

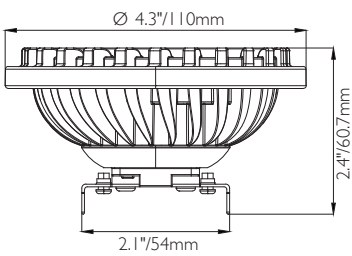
Power	3W
Lumens	270lm
Voltage	12V AC/DC/60Hz
CRI	85
Beam Angle	360°
Material	Ceramic
CCT	2700/3000/4000K Adjustable





PAR36-10W-38D-BK

Power	10W
Lumens	840lm
Voltage	12V AC/DC/60Hz
CRI	85
Beam Angle	38°
Dimmable	Non-dimmable
CCT	2700-6000K



PRODUCT SPECS

MOUNTING / INSTALLATION

Wire Lead 3' 18AWG wire attached to the end of the rolled light strip
Mounting Directly to surface or in channel, trim to length needed
 Optional mounting: aluminum tape sleeve (3' section)

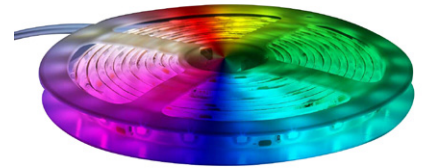
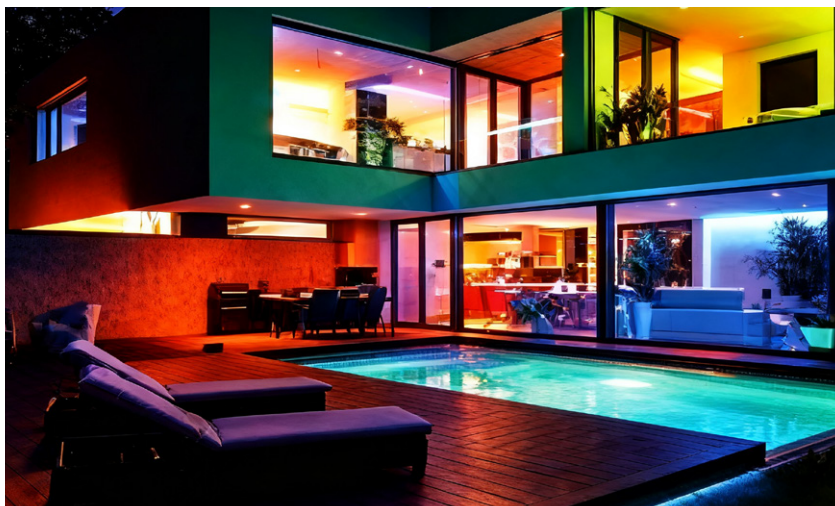
MATERIAL Flexible silicone sleeve

RGBW STRIP LIGHTS FEATURES

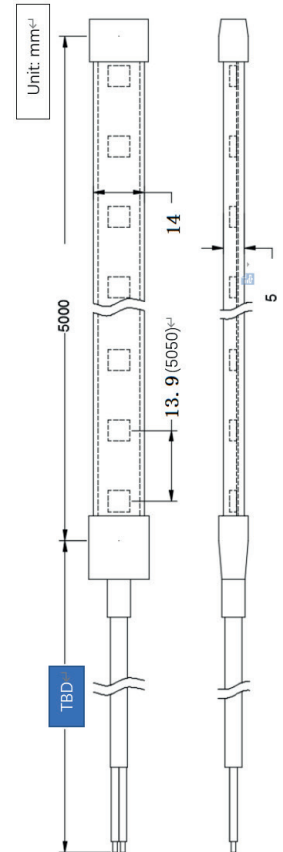
Continuous strip of LED emitters available in 5m, 10m or 15m lengths that can be trimmed (Scrap tape cannot be reused). Can be affixed directly to surfaces. Includes an integrated frosted diffusing lens. Typically installed facing down on railings, step risers, toe-kicks, under cabinets, etc.



Wattage	12W
Lumens	5m length 60W 2000lm at 5000K
Beam Spread	180°
Color	RGB W, W=5000K
Input Voltage	12V DC/60Hz
CRI	80
IP	68
Lamp Life (hours)	50,000
Warranty (years)	3



SR-001



Gateway Outdoor



GATEWAY OUTDOOR FEATURES

Product name : Gateway (Outdoor version)
Usage : Garden+Home+Hotel+Office
Color : Black
IP: 65
Application : Garden, Home, Hotel, Office
Feature : Max connect 50 smart devices
APP name : Smart Hanri APP
USB power supply: 5V 2A
Working temperature: -40°F ~ 131°F (-40°C ~ +55°C)
Working humidity: 10%-90%RH
Storage temperature: -40°F ~ 158°F (-40°C ~ +70°C)
Storage humidity: 10%-90%RH
Network range: 100 meters
Wireless protocol: BLE Mesh/Thread/WiFi/LTE(Customized)

ADVANTAGE OF PRODUCTS

- Support Multi Protocol: Support Thread/BLE/PLC devices
- Supports multi-platform usage: It allows Hanri Thread standard devices to function on third-party platform, such as Google Home, Alexa, HomeKit and SmartThings. You can share the Hanri app's QR code with these platforms, enabling control across multiple platforms
- ON / OFF Physical keys: Physical button with LED indicator light flashing, indicating that it can be connected to the mobile phone



GATEWAY INDOOR FEATURES

Product name : Gateway (Indoor version)
Usage : Home+Hotel+Office
Color : Black/White
IP: 20
Application : Home, Hotel, Office
Feature : Max connect 50 smart devices
APP name : Smart Hanri APP
USB power supply: 5V 2A
Working temperature:-40°F ~ 131°F (-40°C ~ +55°C)
Working humidity:10%-90%RH
Storage temperature: -40°F ~ 158°F (-40°C ~ +70°C)
Storage humidity:10%-90%RH
Network range: 60 meter
Wireless protocol: BLE Mesh/Thread/WiFi/LTE.(Customized)
One RJ45 Ethernet port

ADVANTAGE OF PRODUCTS

- Support multi protocol: Support Thread/BLE/PLC devices
- Supports multi-platform usage: It allows Hanri Thread standard devices to function on third-party platform, such as Google Home, Alexa, HomeKit and SmartThings. You can share the Hanri app's QR code with these platforms, enabling control across multiple platforms
- ON / OFF Physical keys: Physical button with LED indicator light flashing, indicating that it can be connected to the mobile phone



GW-002



SWIMMING POOL LIGHTS



Swimming Pool & Spa
PL-001



Swimming Pool
Nicheless
NL-001



Outdoor LED
Strip Lights
SR-001



BR40 RGBW



BR30 RGBW



SMART CONTROL FOR POOL LIGHTING

Our swimming pool lights offer two convenient control options to meet different needs.

Switch Control – Simple, reliable, and easy to use. With a standard wall switch, you can turn the lights on or off instantly. This option is perfect for users who prefer straightforward operation without extra features. Additionally, the lights can change colors to suit different moods. You can also enjoy dynamic color shows for a more vibrant lighting experience.

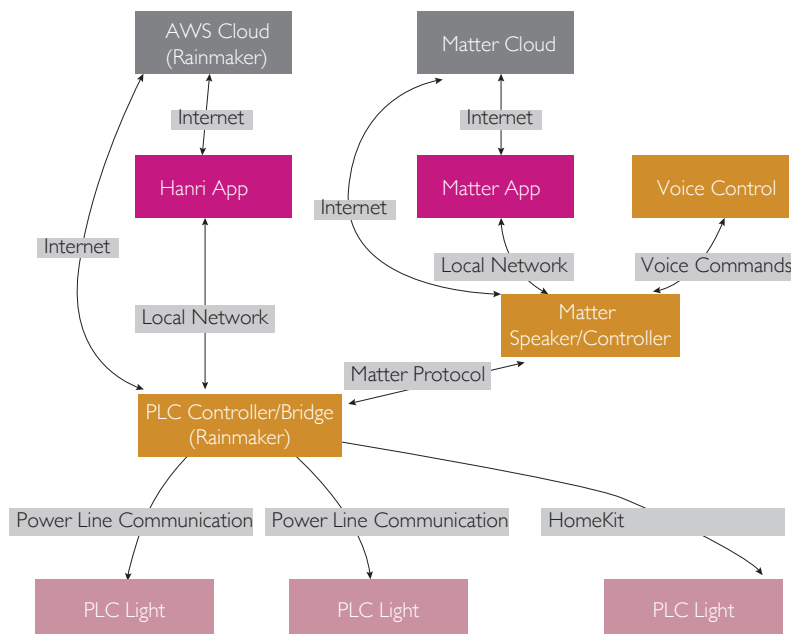


PLC Control with DCT – For a smarter experience, our advanced PLC (Power Line Communication) system allows lighting signals to travel directly through existing power lines, avoiding the need for additional wiring. Paired with the DCT (Digital Controller Transformer), it transforms your pool lights into a modern, connected system.



With the DCT, you can easily manage your pool lighting using your smartphone or tablet. Through Wi-Fi or Bluetooth, adjust brightness, switch modes, or create the perfect atmosphere with just a tap.

Whether you prefer the simplicity of switch control or the smart convenience of PLC with DCT, our solutions are designed to bring comfort, flexibility, and style to your pool lighting.



Swimming Pool and SPA Lights



PL-001



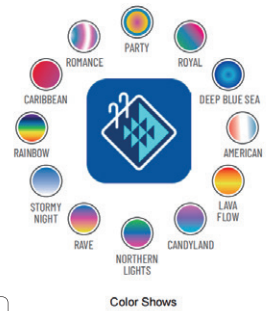
DESCRIPTION

1. Pool and SPA lights, 304 stainless steel, 50/100/150 ft cord, waterproof rating IP68, 50W and 20W respectively
2. Standard input is 12VAC, can do 120VAC (acceptable in US)
3. Color Programs include Jandy(Fluidra), Pentair and Hayward. Can work with Jandy, Pentair and Hayward automation systems, color sequencing with standard on/off automation control
4. PLC controllable version available, enable infinite color hues and real-time color wheel control
5. Save up to 80% on energy costs, powered by high-performance LED chips
6. 3-in-1 version available with Jandy/Pentair/Hayward programs, choose program with mobile phone App



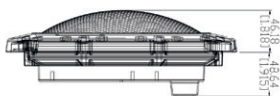
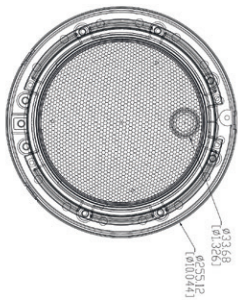
SWIMMING POOL & SPA LIGHTS FEATURES

- More light, more energy efficient — now 60% brighter and 80% more energy efficient
- Spreads light widely and evenly in all directions using a 3D light engine and convex lens
- Provides cleaner white light with no color separation thanks to improved optics
- Color for every mood with five brilliant color lights and seven dynamic color-changing light shows
- High-quality components add durability to the dazzle due to long-lasting construction



Jandy®, Pentair®, and Hayward® are registered trademarks of their respective owners. Our products are compatible with these systems but are not manufactured, authorized, or endorsed by them.

Model #	HRLEDPL50/ HRLEDSPA50	HRLEDPL100/ HRLEDSPA100	HRLEDPL150/ HRLEDSPA150
Type	Pool/SPA	Pool/SPA	Pool/SPA
Power	50W/20W	50W/20W	50W/20W
Voltage	12V	12V	12V
CCT	RGB W	RGB W	RGB W
CRI	80	80	80
Lumen	R:600/200 G:1000/400 B:200/80 W:2500/1000	R:600/200 G:1000/400 B:200/80 W:2500/1000	R:600/200 G:1000/400 B:200/80 W:2500/1000
Lifetime (hrs)	50,000	50,000	50,000
Certificate	ETL/FCC	ETL/FCC	ETL/FCC
IP	68	68	68
Cord	50ft	100ft	150ft



DIMENSIONS

HEIGHT 3.73"
LENGTH/DEPTH 10.04"
WIDTH 10.04"



Swimming Pool Nicheless Lights

DESCRIPTION

1. IP68 Fully Sealed, Maintenance-Free Waterproofing: 1.5" nicheless LED light, IP68-rated with 50 ft/100 ft/150 ft power cord
2. Color Programs include Jandy(Fluidra), Pentair and Hayward. Can work with Jandy, Pentair and Hayward automation systems, color sequencing with standard on/off automation control
3. 1.5-inch underwater pool light operates on 12V AC input
4. Save up to 80% on energy costs, powered by high-performance LED chips
5. Inductive power-on version available, replace defective lights or change different power lights in a second
6. 3-in-1 version available with Jandy/Pentair/Hayward programs, choose program with mobile phone App



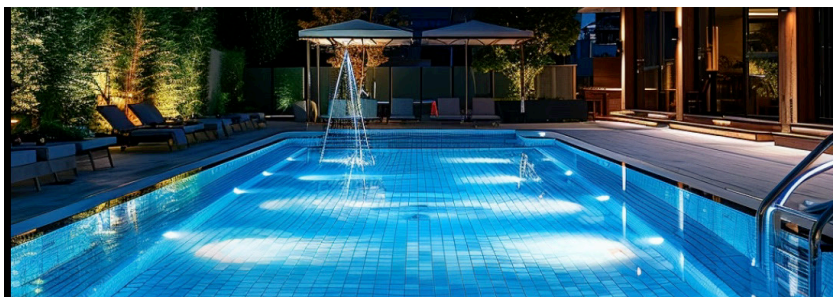
SWIMMING POOL NICHELESS LIGHTS FEATURES

- More light, more energy efficient — now 60% brighter and 80% more energy efficient
- Spreads light widely and evenly in all directions using a 3D light engine and convex lens
- Provides cleaner white light with no color separation thanks to improved optics
- Color for every mood with five brilliant color lights and seven dynamic color-changing light shows
- High-quality components add durability to the dazzle due to long-lasting construction

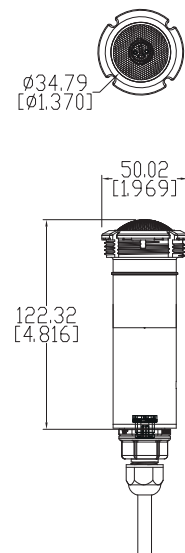


Jandy®, Pentair®, and Hayward® are registered trademarks of their respective owners. Our products are compatible with these systems but are not manufactured, authorized, or endorsed by them.

Model #	HRLEDNL50	HRLEDNL100	HRLEDNL150
Type/Size	1.5 inch	1.5 inch	1.5 inch
Power	6W	12W	24W
Voltage	12V	12V	12V
CCT	RGB W	RGB W	RGB W
CRI	80	80	80
Lumen	400	800	1400
Lifetime (hrs)	50,000	50,000	50,000
Certificate	ETL/FCC	ETL/FCC	ETL/FCC
IP	68	68	68
Cord	50ft	100ft	150ft



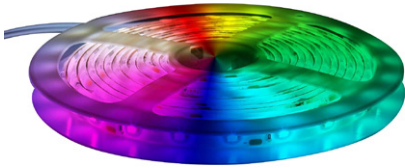
NL-001



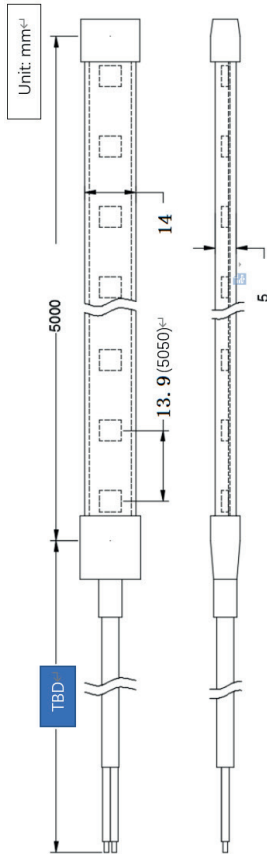
DIMENSIONS

HEIGHT 4.82"
 LENGTH/DEPTH 1.97"
 WIDTH 1.97"

Outdoor LED Strip Lights



SR-001



PRODUCT SPECS

MOUNTING / INSTALLATION

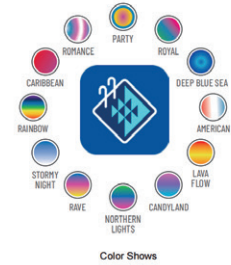
Wire Lead 3' 18AWG wire attached to the end of the rolled light strip.
Mounting Directly to surface or in channel, trim to length needed.
 Optional mounting: aluminum tape sleeve (3' section)

MATERIAL Flexible PVC sleeve



RGBW STRIP LIGHTS FEATURES

- Continuous strip of LED emitters available in 5', 15' or 30' lengths that can be trimmed (Scrap tape cannot be re-used). Can be affixed directly to surfaces. Includes an integrated frosted diffusing lens. Typically installed facing down on railings, step risers, toe-kicks, under cabinets, etc.
- Color programs include Jandy(Fluidra), Pentair and Hayward. Can work with Jandy, Pentair and Hayward automation systems, color sequencing with standard on/off automation control.
- PLC controllable version available, enable infinite color hues and real-time color wheel control.
- More light, more energy efficient — now 60% brighter and 80% more energy efficient
- Provides cleaner white light with no color separation thanks to improved optics
- Color for every mood with five brilliant color lights and seven dynamic color-changing light shows
- High-quality components add durability to the dazzle due to long-lasting construction



Jandy®, Pentair®, and Hayward® are registered trademarks of their respective owners. Our products are compatible with these systems but are not manufactured, authorized, or endorsed by them.

Wattage	12W/m
Lumens	5m length 60W 2000lm at 5000K
Beam Spread	180°
Color	RGB W, W=5000K
Input Voltage	12V DC/60HZ
CRI	80
IP	68
Lamp Life (hours)	50,000
Warranty (years)	3



Swimming Pool LED BR40 RGBW

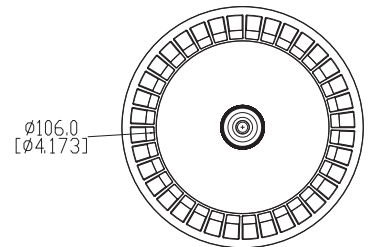
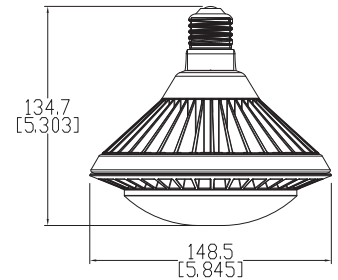
BR40 RGBW FEATURES

1. Color Programs include Jandy(Fluidra), Pentair and Hayward. Can work with Jandy, Pentair and Hayward automation systems, color sequencing with standard on/off automation control.
2. Can retrofit standard incandescent lights, with 80% power savings.
3. Easy to install --just unscrew the old pool bulb and screw in this LED pool bulb.



**Switch
Control**

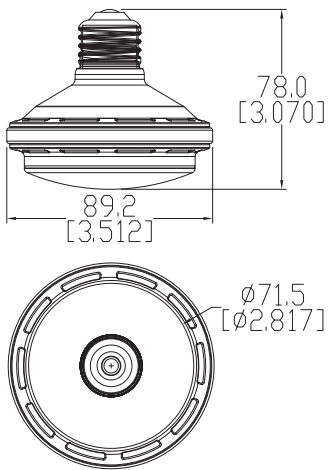
Type	BR40	BR40
Lumen	3000lm	4000lm
Equal	300W	300W
Voltage	120V	120V
Wattage	30W	40W
CCT	RGBW	RGBW
Base	E26	E26
Beam angle	120	120
CRI	80	80
Lifetime (hrs)	50,000	50,000
Dimmable	No	No
Certificate	ETL/FCC	ETL/FCC
H*D	148.5x134.7mm	148.5x134.7mm



DIMENSIONS

HEIGHT	5.3"
LENGTH/DEPTH	5.85"
WIDTH	5.85"

Swimming Pool LED BR30 RGBW



DIMENSIONS

HEIGHT	3.1"
LENGTH/DEPTH	3.51"
WIDTH	3.51"

BR30 RGBW FEATURES

1. Color Programs include Jandy(Fluidra), Pentair and Hayward. Can work with Jandy, Pentair and Hayward automation systems, color sequencing with standard on/off automation control.
2. Can retrofit standard incandescent lights, with 80% power savings.
3. Easy to install --Just unscrew the old pool bulb and screw in this LED pool bulb.



**Switch
Control**

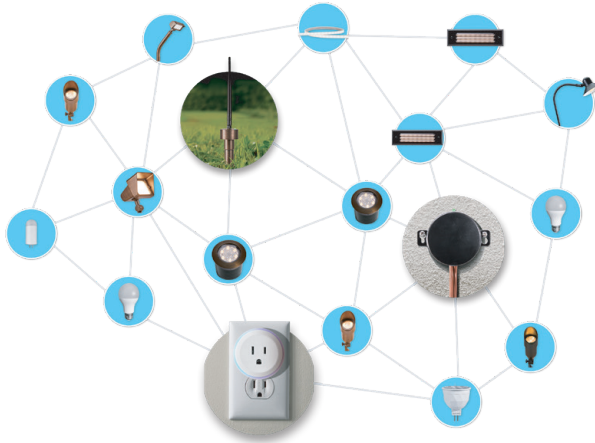
Type	BR30
Lumen	1800lm
Equal	100W
Voltage	120V
Wattage	18W
CCT	RGBW
Base	E26
Beam angle	120
CRI	80
Lifetime (hrs)	50,000
Dimmable	No
Certificate	ETL/FCC
H*D	89.2x78mm



DESCRIPTION

When distance between gateway and light is too long(eg. greater than 200 foot), Range Extenders can be added between Gateway and lights. They amplify and reinforce the signals between all system devices, functioning as a "mesh network". Signal quality can be weakened by obstacles (walls, terrain, trees, etc.), temporary interference (other signals, static, electrical noise, magnetic fields, etc.), climate factors and more.

For a stable setup, you must prevent sections of your bt network from losing connection by establishing a robust chain of range extenders (RE). Each extender is tied to one network only. When several networks exist on the same property, independent groups of extenders will be required for each network.



The "mesh network"

Hanri SMRE

Surface mounted range extender ideal for use in hardscape areas or on the exterior walls of structures. Installed where spacing between fixtures is significant, where elevation or obstructions might interrupt signal and simply to strengthen the overall network.

- Mounting ears for attachment to vertical surfaces.
- 5' wire lead.
- Add removable ½" threaded base to attach to RMB canopy mount or another base.
- Indicator light displays green when RE is active in a network.
- 1 watt.

Type	Range Extender
Input Voltage	12V AC/DC
Control	Wireless data transmission, app controlled
Operating Frequency	2403MHz x 2480MHz
Transmission Range	230 Ft. Max.
Housing	Polycarbonate
Wire	5 inch , 18 AWG SPT-2W
Usage	For lamps ONLY
Warranty	Five year warranty
IP	65



RE-001



DIMENSIONS

HEIGHT 0.9"
 LENGTH/DEPTH 2.17"
 WIDTH 2.17"

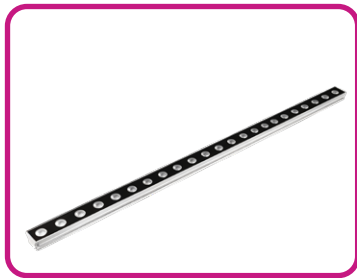
Linear Light



Linear lights HRCX1A



Linear lights HRCX3C



Linear lights HRLK2D



Linear lights HRCV3E

DESCRIPTION

1. Elegant ultra-slim profile high brightness LED pixel linear light that integrated easily into architectural features for outdoor applications or formed into scalable large LED video display with high light transparency for building facades and commercial building
2. Choice of Cree, Osram, Lumileds in range of whites, mono colour, RGB and RGBW viewing angle at $\geq 120^\circ$
3. High corrosion resist anodized aluminum profile and perforated face cover over clear PMMA or PC lens cap
4. Completely weather-sealed fixture, IP65
5. Easy and fast installation with fixed or adjustable stainless steel brackets and high wind resistance level
6. Seamless line of light with no dark spaces when fixtures are connected in cascade
7. DC24V input. PLC controllable version available, enable infinite color hues and real time color wheel control
8. Easy and neat installation with adjustable mounting brackets and cable stowed compartment

Model #	HRCXIA48	HRCXIA60
LED Quantity	48(24RGB+24W)	60(30RGB+30W)
Power	11.52W	14.4W
Lumen	518 lm	647 lm
Luminous Efficacy	45 lm/W	44.9 lm/W
Beam Angle	110°	
Voltage	DC24V	
CCT	RGB W	
Ra	80	
Life time (hrs)	50,000	
IP	65	
Environmental Range	-40°C ~ 50°C (temperature)/10%-95% RH (humidity)	
Material	High strength stretched aluminum	
Cable interconnect	Signal/power supply:outdoor specialized rubber sheath wire	
Dimension	1000*23*18.1mm	
Weight	0.6Kg	



DIMENSIONS

HEIGHT	0.71"
LENGTH/DEPTH	39.37"
WIDTH	0.91"

Linear Lights HRCX3C



DESCRIPTION

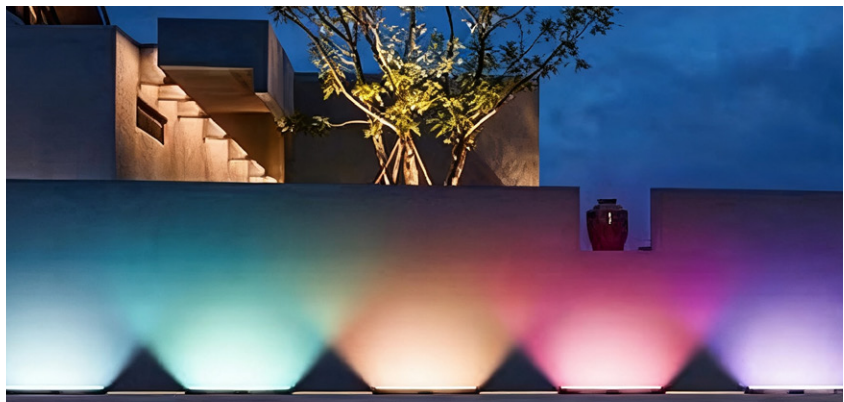
1. Elegant ultra-slim profile high brightness LED pixel linear light that integrated easily into architectural features for outdoor applications or formed into scalable large LED video display with high light transparency for building facades and commercial building
2. Choice of Cree, Osram, Lumileds in range of whites, mono colour, RGB and RGB+W
3. High corrosion resist anodized aluminum profile and PMMA cover
4. Completely weather-sealed fixture, IP65
5. Easy and fast installation with fixed or adjustable stainless steel brackets and high wind resistance level
6. Seamless line of light with no dark spaces when fixtures are connected in cascade
7. DC24V input. PLC controllable version available, enable infinite color hues and real time color wheel control
8. Easy and neat installation with adjustable mounting brackets and cable stowed compartment

Model #	HRCX3C48	HRCX3C60
LED Quantity	48(24RGB+24W)	60(30RGB+30W)
Power	11.52W	14.4W
Lumen	454 lm	567 lm
Luminous Efficacy	39.4 lm/W	39.4 lm/W
Beam Angle	120°	
Voltage	DC24V	
CCT	RGB W	
Ra	80	
Life time (hrs)	50,000	
IP	65	
Environmental Range	-40°C ~ 50°C (temperature)/10%-95% RH (humidity)	
Material	High strength stretched aluminum	
Cable interconnect	Signal/power supply:outdoor specialized rubber sheath wire	
Dimension	1000*23.5*43mm	
Weight	1Kg	



DIMENSIONS

HEIGHT	1.69"
LENGTH/DEPTH	39.37"
WIDTH	0.93"



DESCRIPTION

1. Elegant ultra-slim profile high brightness LED pixel linear light that integrated easily into architectural features for outdoor applications or formed into scalable large LED video display with high light transparency for building facades and commercial building
2. Choice of Cree, Osram, Lumileds in range of whites, mono colour, RGB and RGBW viewing angle at $\geq 120^\circ$
3. High corrosion resist anodized aluminum profile and perforated face cover over clear PMMA or PC lens cap
4. Completely weather-sealed fixture, IP65
5. Easy and fast installation with fixed or adjustable stainless steel brackets and high wind resistance level
6. Seamless line of light with no dark spaces when fixtures are connected in cascade
7. DC24V input. PLC controllable version available, enable infinite color hues and real time color wheel control
8. Easy and neat installation with adjustable mounting brackets and cable stowed compartment

Model #	HRLK2D48	HRLK2D60
LED Quantity	48(24RGB+24W)	60(30RGB+30W)
Power	11.52W	14.4W
Lumen	518 lm	647 lm
Luminous Efficacy	45 lm/W	44.9 lm/W
Beam Angle	110°	
Voltage	DC24V	
CCT	RGB W	
Ra	80	
Life time (hrs)	50,000	
IP	65	
Environmental Range	-40°C ~ 50°C (temperature)/10%-95% RH (humidity)	
Material	High strength stretched aluminum	
Cable interconnect	Signal/power supply:outdoor specialized rubber sheath wire	
Dimension	1000*40*26mm	
Weight	1.52Kg	



DIMENSIONS

HEIGHT	1.57"
LENGTH/DEPTH	39.37"
WIDTH	1.02"

Linear Lights HRCV3E



DESCRIPTION

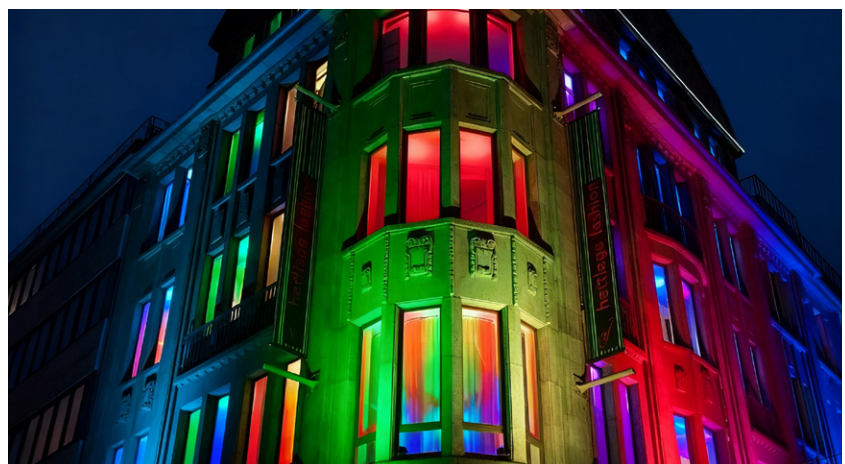
1. Elegant ultra-slim profile high brightness LED pixel linear light that integrated easily into architectural features for outdoor applications or formed into scalable large LED video display with high light transparency for building facades and commercial building
2. Choice of Cree, Osram, Lumileds in range of whites, mono colour, RGB and RGBW viewing angle at $\geq 110^\circ$
3. High corrosion resist anodized aluminum profile and PMMA cover
4. Complete weather-sealed fixture, IP65
5. Easy and fast installation with fixed or adjustable stainless steel brackets
6. Seamless line of light with no dark spaces when fixtures are connected in cascade
7. DC24V input. PLC controllable version available, enable infinite color hues and real time color wheel control
8. High brightness contrast level for smooth and consistent color change effect

Model #	HRCV3E96	HRCV3E120
LED Quantity	96(48RGB+48W)	120(60RGB+60W)
Power	11.52W	14.4W
Lumen	454 lm	567 lm
Luminous Efficacy	46.1 lm/W	46.1 lm/W
Beam Angle	110°	
Voltage	DC24V	
CCT	RGB W	
Ra	80	
Life time (hrs)	50,000	
IP	65	
Environmental Range	-40°C ~ 50°C (temperature)/10%-95% RH (humidity)	
Material	High strength stretched aluminum	
Cable interconnect	Signal/power supply:outdoor specialized rubber sheath wire	
Dimension	1000*20*20mm	
Weight	0.37Kg	



DIMENSIONS

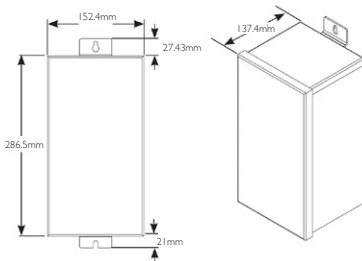
HEIGHT	0.79"
LENGTH/DEPTH	39.37"
WIDTH	0.79"



Low Voltage Transformer



SST-001



DIMENSIONS

HEIGHT 286.5mm
 LENGTH/DEPTH 137.4mm
 WIDTH 152.4mm

DESCRIPTION

The Hanri Transformer features a high-quality, stainless steel case and includes multi-taps to accommodate voltage drop. Available in 150, 300, and 600 watts, these transformers are sure to support any size of project. Pair with the Smart Socket 3.0 .

TRANSFORMER FEATURES

Standard Version

Fully-potted, insulated, single-core transformer

- Easy on/off, secondary breaker switches on each common tap
- Two common lug terminals
- Amp loop to check the primary amperage on the transformer
- Accepts plug-in-timers, has direct photocell connection
- Angled terminal strip for easy wire connections, eliminates blind spots
- Heavy-duty stainless-steel cabinet with integrated mounting bar, lockable
- Removable bottom panel, 5 knockouts for wire connections
- Integrated short circuit and overload protection
- Includes 5' grounded heavy-gauge power cord
- ETL tested, in conformance to ANSI/UL 1838

Smart Version

- App-controlled for on/off remote control and scheduling
- Up to 3 individually-scheduled zones for maximum lighting control (example: facade, landscape, walkway)
- Astronomic timing (sunrise/sunset adjusted automatically), plus clock-based on/off
- Settings saved to the cloud in case of power interruption
- Maximum control range. Discreet integrated external antenna plus dual control with Bluetooth® or WiFi. (WiFi is optional, not required)

- Digital power meter (in app) displays real-time power consumption and history
- Angled terminal strip for easy wire connections, eliminates blind spots
- Removable bottom panel, 5 knockouts for wire connections
- Heavy-duty stainless-steel cabinet with integrated mounting bar, lockable
- Integrated short circuit and overload protection
- Includes 5' grounded heavy-gauge power cord
- ETL tested, in conformance to ANSI/UL 1838

Wattage	150W	300W	600W
Finish	Stainless Steel	Stainless Steel	Stainless Steel
Timer	Compatible	Compatible	Compatible
Secondary Circuit Breaker	Orange	White	Circuit #1 & Circuit #2, White
Multi Tap	12V,13V,14V,15V	12V,13V,14V,15V	12V,13V,14V,15V
Dimensions(mm)	286.5x137.4x152.4	286.5x137.4x152.4	286.5x137.4x152.4
Dimmable	No	No	No
Warranty	5 years	5 years	5 years

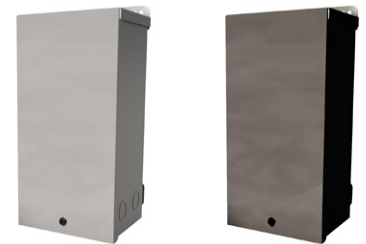
TRANSFORMER FEATURES

- Fully-potted, insulated, single-core transformer
- Easy on/off, secondary breaker switches on each common tap
- Two common lug terminals
- Amp loop to check the primary amperage on the transformer
- Accepts plug-in-timers, has direct photocell connection
- Angled terminal strip for easy wire connections, eliminates blind spots
- Removable bottom panel, 5 knockouts for wire connections
- Integrated short circuit and overload protection
- Includes 5' grounded heavy-gauge power cord
- ETL tested, in conformance to ANSI/UL 1838

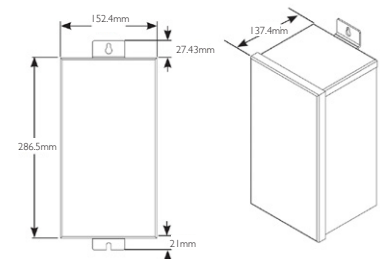
Wattage	150W	300W	600W
Finish	Painted Steel	Painted Steel	Painted Steel
Timer	Compatible	Compatible	Compatible
Secondary Circuit Breaker	Orange	White	Circuit#1 & Circuit #2, White
Multi Tap	12V,13V,14V,15V	12V,13V,14V,15V	12V,13V,14V,15V
Dimensions(mm)	286.5x137.4x152.4	286.5x137.4x152.4	286.5x137.4x152.4
Dimmable	No	No	No
Warranty	5 years	5 years	5 years



PLT-001



Surface available in White, Grey and Black



DIMENSIONS

HEIGHT 286.5mm
LENGTH/DEPTH 137.4mm
WIDTH 152.4mm







Production Workshops



SMT



Assembly



Potting



Burn-In Test



CNC

National Accredited (CNAS) Test Lab



Photo-Electrical Test



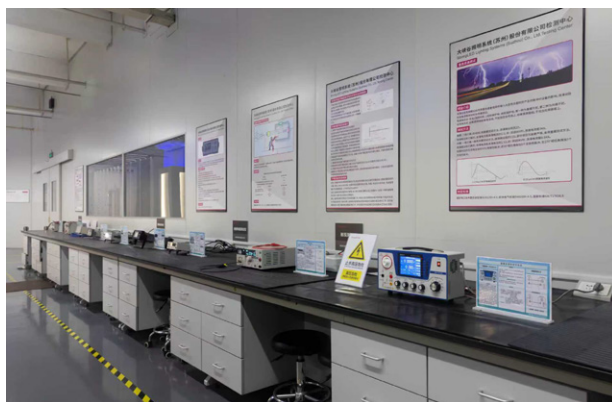
Reliability Test



Light Distribution Test



Environmental Test



EMC and Safety Test

Hanri

Hanri Lighting Sdn. Bhd.

Plot 86, Lorong Perindustrian Bukit Minyak 16, Kawasan Perindustrian Bukit Minyak, 14100, Bukit Mertajam, Penang, Malaysia.

Hanri Lighting Co., Ltd.

No.2888, Linhu Avenue, Wujiang District, Suzhou, Jiangsu Province, China. Postal Code:215211

www.hanritech.com

V2.0